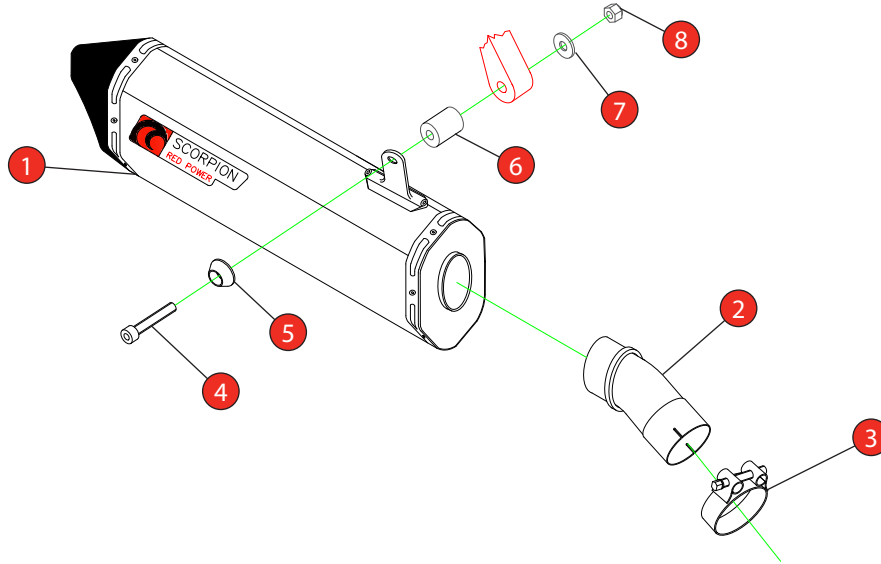


Bike	Honda CB1000 R	Part No.	RHA-187
Year	2018 - Current	Fit Kit	Z039.10651
Notes	Where not supplied use original fittings. Remove OE gasket if fitted.	dB Killer	SCEXDBK24 - (TYPE W)

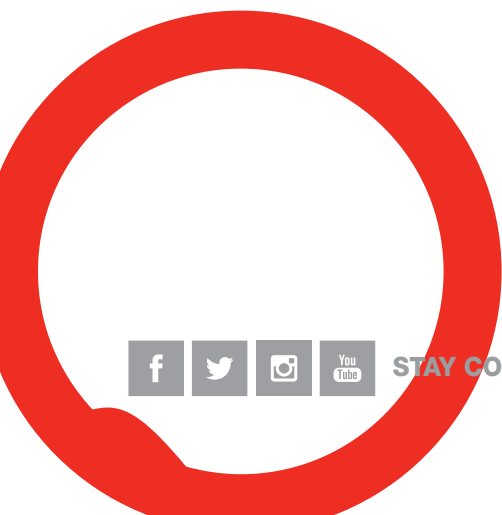
Estimated Fitting Time: 60 Minutes



NO.	PART NO.	DESCRIPTION	
1	RSC451	300mm Serket Parallel Silencer	1
2	CP1021	Connecting Pipe	1
Fit Kit - Z039.10651			
3	Z016.10003	47-51MM Band Clamp	1
4	Z017.10081	M8 x 65mm Cap Head Bolt	1
5	Z026.20068	Alloy Bolt Finisher	1
6	Z026.20181	Ø25 x 15mm M8 Black Alloy Spacer	1
7	Z017.10825	25mm M8 Washer	1
8	Z017.10062	M8 Nyloc Nut	1

E-MARK	BSAU 193a 1990/t3
DATE	03/04/2019
ISSUE	00
AUTHORISED	J.Harkin

NOTE: ENSURE SCORPION SYSTEM IS CLEAR OF MOVING PARTS AND ALL ORIGINAL FUNCTIONS WORK CORRECTLY.



STAY CONNECTED TO RED POWER.

Bike	Honda CB1000 R	Part No.	RHA-187
Year	2018 - Current	Fit Kit	Z039.10651
Notes	Where not supplied use original fittings	dB Killer	SCEXDBK24 - (TYPE W)

Estimated Fitting Time: 60 Minutes



A) Remove original exhaust from bike, taking care to keep all original components in a safe place.

B) Refit Scorpion exhaust as per line diagram above.

C) When fitted take bike for a short ride to ensure all functions are correct.

D) When bike & exhaust are cool enough check all nuts and bolts are still secure.

Thank you for purchasing your Scorpion Silencer.

Care of your exhaust: Please refrain from cleaning silencer with heavy solvents or abrasives!

Vielen Dank Für den kauf eines Scorpion Schalldampfers! Pflegehinweis: Bitte verwenden Sie niemals Scheuermittel oder aggressive Reiniger zur Pflege Ihres Auspuffes!

Merci d'avoir choisi un echappement Scorpion.

Entretien de votre silencieux: Ne pas utiliser de solvants ou de produits abrasifs!

Muchas gracias por adquirir un Silencioso Scorpion. Le recomendamos no limpiar el silencioso con productos abrasivos o aquellos que contengan disolventes.



STAY CONNECTED TO RED POWER.