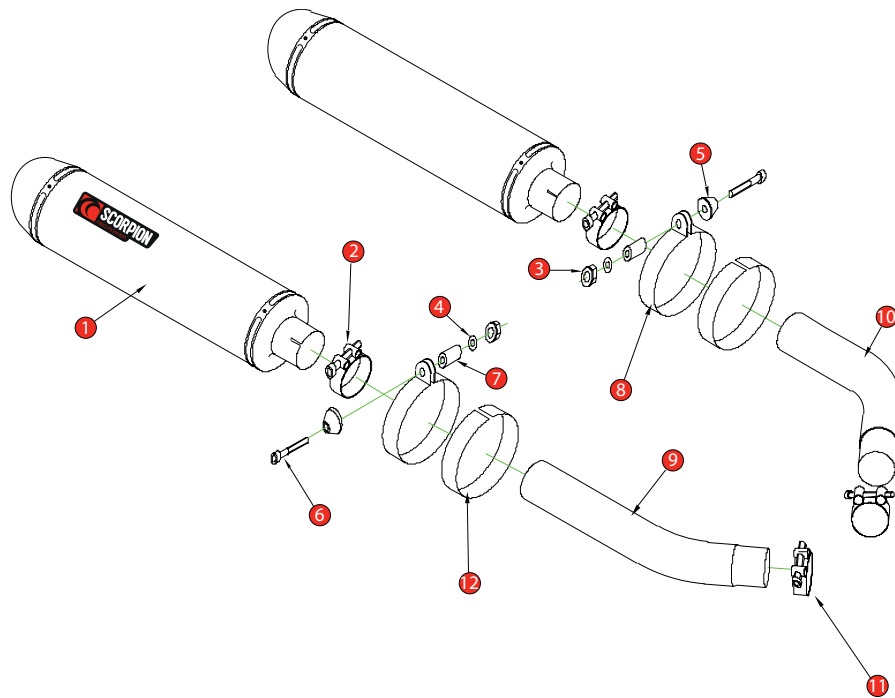


Box: PLOCK 2x2

BIKE	SUZUKI GSX 1300 R HAYABUSA	PART NO.	ESI - 100
YEAR	2008 - 2017	FIT KITS	OVAL Z039.11266 // ROUND Z039.10266
NOTES	Use standard fittings where not supplied Remove standard gasket if fitted.	DB-Killer	2 x SCEXDBK12 - (Type B)



- | | |
|---|--|
| 1 2 x 450mm Silencers ESC 158 | 8 2 x Silencer Straps (R-Z028.10228)(O-Z028.10231) |
| 2 2 x 55-59mm Band Clamps (Z016.10004) | 9 Connecting Pipe CP 455 |
| 3 2 x Nyloc Nuts (Z017.10062) | 10 Connecting Pipe CP 454 |
| 4 2 x M8 x 17mm Washers (Z017.10831) | 11 2 x 43-47mm Band Clamps (Z016.10008) |
| 5 2 x Aluminium Bolt Finishers (Z026.20068) | 12 2 x Silencer Strap Rubbers (Z029.10022) |
| 6 2 x M8 x 55mm Cap Head Bolts (Z017.10079) | |
| 7 2 x 10mm Spacers (Z026.10004) | |

E-MARK ROUND	BSAU 193a 1990/t3
E-MARK OVAL	BSAU 193a 1990/t3
ISSUE NO.	08
DATE	04/08/21
AUTHORISED	M.Ydlibi
CHECKED	

NOTE: ENSURE SCORPION SYSTEM IS CLEAR OF MOVING PARTS AND ALL ORIGINAL FUNCTIONS WORK CORRECTLY.



- A) Remove original exhaust from bike, taking care to keep all original components in a safe place.
- B) Refit Scorpion exhaust as per line diagram above.
- C) When fitted take bike for a short ride to ensure all functions are correct.
- D) When bike & exhaust are cool enough check all nuts and bolts are still secure.

