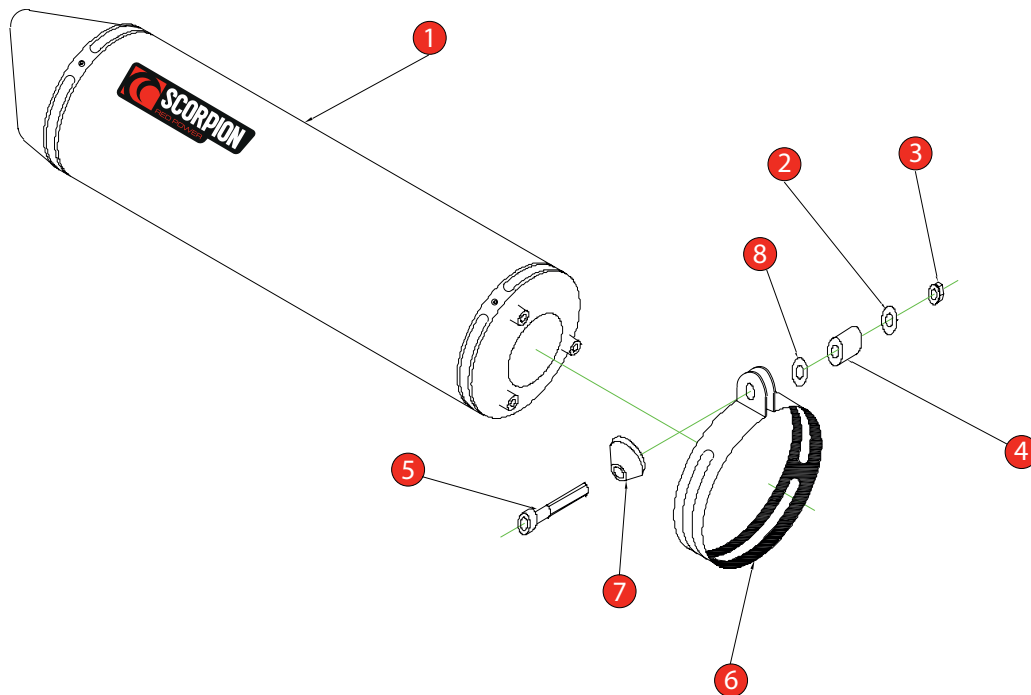


Box: PLOCK 1

BIKE	KAWASAKI ZX6 R G	PART NO.	EKA - 59
YEAR	1998 - 2000	FIT KITS	OVAL Z039.11058 // ROUND Z039.10058
NOTES	Ensure billet is fitted with M8 x 16mm Cap Heads & spring washers prior to despatch	DB-Killer	SCEXDBK12 - (Type B)



1 450mm Silencer (R-ZE40.37A) (O-ZE40.38A)	8 M8 x 25mm Washer (Z017.10825)
2 M8 x 17mm Washer (Z017.10831)	
3 M8 Nyloc Nut (Z017.10062)	
4 10mm Spacer (Z026.10004)	
5 M8 x 60mm Cap Head Bolt (Z017.10080)	
6 Composite Strap (R-Z038.10089) (O-Z038.10088)	
7 Aluminium Bolt Finisher (Z017.10825)	

E-MARK ROUND	BSAU 193a 1990/t3
E-MARK OVAL	BSAU 193a 1990/t3
ISSUE NO.	08
DATE	17/10/2018
AUTHORISED	J.Harkin
CHECKED	

**NOTE:** ENSURE SCORPION SYSTEM IS CLEAR OF MOVING PARTS AND ALL ORIGINAL FUNCTIONS WORK CORRECTLY.

A) Remove original exhaust from bike, taking care to keep all original components in a safe place.

B) Refit Scorpion exhaust as per line diagram above.

C) When fitted take bike for a short ride to ensure all functions are correct.

D) When bike & exhaust are cool enough check all nuts and bolts are still secure.