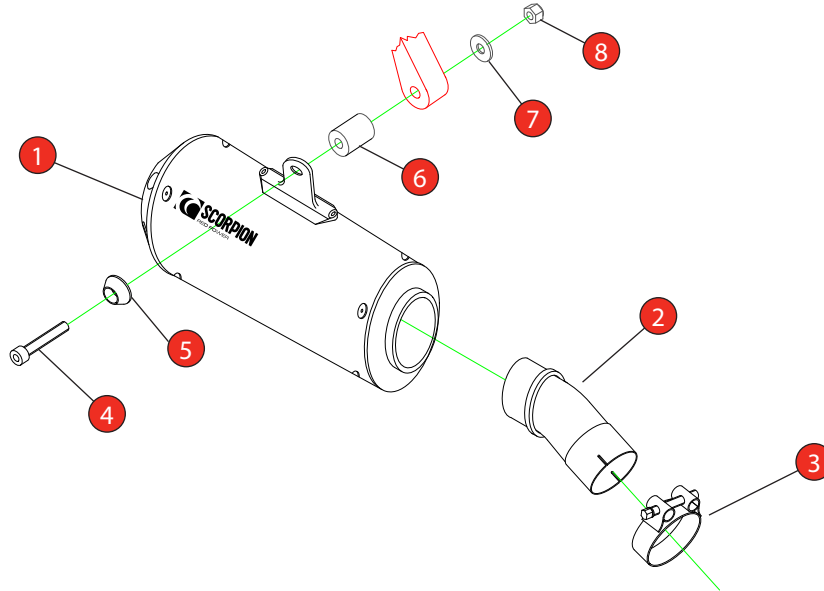


| | | | |
|-------|--|-----------|-----------------------|
| Bike | Honda CB1000 R | Part No. | PHA-187 |
| Year | 2018-Current | Fit Kit | Z039.10651 |
| Notes | Where not supplied use original fittings. Remove OE gasket if fitted. | dB Killer | SCEXDBK46 - (TYPE PA) |

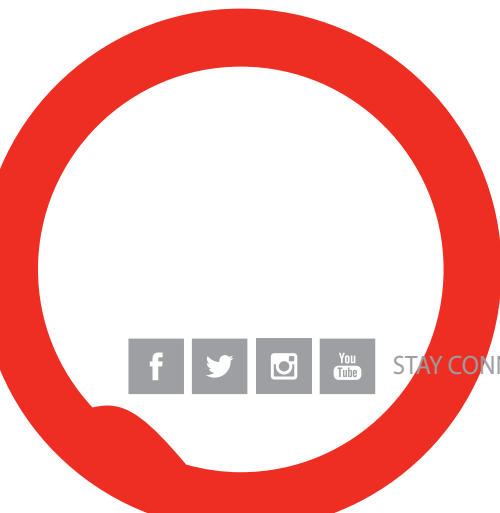
Estimated Fitting Time: 60 Minutes



| NO. | PART NO. | DESCRIPTION | |
|----------------------|------------|----------------------------------|---|
| 1 | PSC442 | Red Power Silencer | 1 |
| 2 | CP1023 | Connecting Pipe | 1 |
| Fit Kit - Z039.10651 | | | |
| 3 | Z016.10003 | 47-51MM Band Clamp | 1 |
| 4 | Z017.10081 | M8 x 65mm Cap Head Bolt | 1 |
| 5 | Z026.20068 | Alloy Bolt Finisher | 1 |
| 6 | Z026.20181 | Ø25 x 15mm M8 Black Alloy Spacer | 1 |
| 7 | Z017.10825 | 25mm M8 Washer | 1 |
| 8 | Z017.10062 | M8 Nyloc Nut | 1 |

| | |
|------------|-------------------|
| E-MARK | BSAU 193a 1990/t3 |
| DATE | 03/04/2019 |
| ISSUE | 00 |
| AUTHORISED | J.Harkin |

NOTE: ENSURE SCORPION SYSTEM IS CLEAR OF MOVING PARTS AND ALL ORIGINAL FUNCTIONS WORK CORRECTLY.



STAY CONNECTED TO RED POWER.

| | | | |
|-------|--|-----------|-----------------------|
| Bike | Honda CB1000 R | Part No. | PHA-187 |
| Year | 2018 - Current | Fit Kit | Z039.10651 |
| Notes | Where not supplied use original fittings | dB Killer | SCEXDBK46 - (TYPE PA) |

Estimated Fitting Time: 60 Minutes



A) Remove original exhaust from bike, taking care to keep all original components in a safe place.

B) Refit Scorpion exhaust as per line diagram above.

C) When fitted take bike for a short ride to ensure all functions are correct.

D) When bike & exhaust are cool enough check all nuts and bolts are still secure.

Thank you for purchasing your Scorpion Silencer.

Care of your exhaust: Please refrain from cleaning silencer with heavy solvents or abrasives!

Vielen Dank Für den kauf eines Scorpion Schalldampfers! Pflegehinweis: Bitte verwenden Sie niemals Scheuermittel oder aggressive Reiniger zur Pflege Ihres Auspuffes!

Merci d'avoir choisi un echappement Scorpion.

Entretien de votre silencieux: Ne pas utiliser de solvants ou de produits abrasifs!

Muchas gracias por adquirir un Silencioso Scorpion. Le recomendamos no limpiar el silencioso con productos abrasivos o aquellos que contengan disolventes.



STAY CONNECTED TO RED POWER.