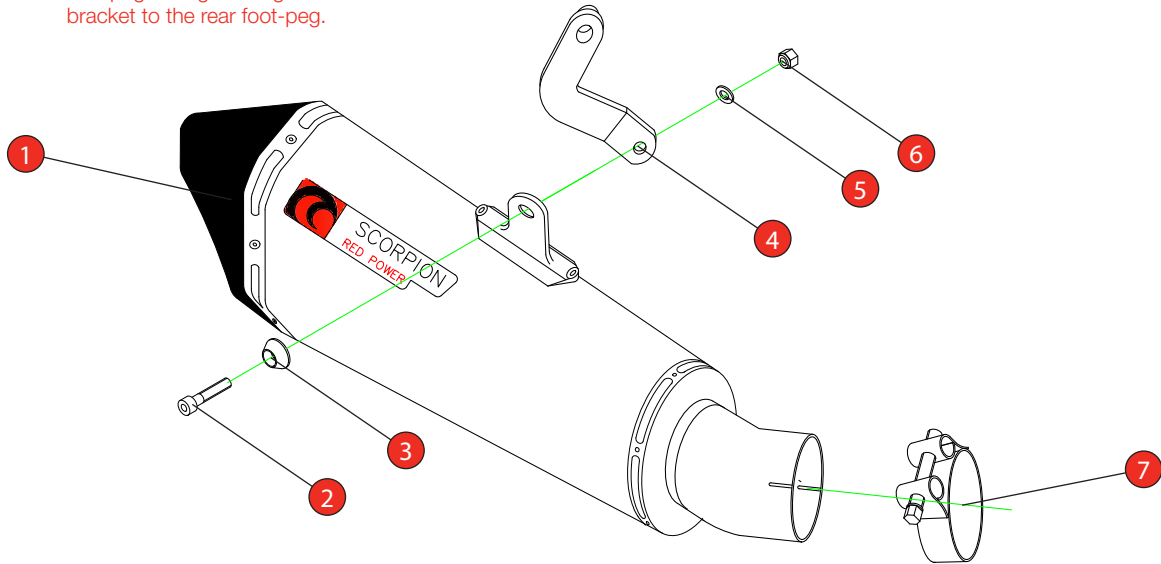


Bike	Honda CBR1000RR Fireblade	Part No.	RHA-175
Year	2017-Current	Fit Kit	Z039.10603
Notes	Use standard fittings where not supplied Remove standard gasket if fitted.	dB Killer	SCEXDBK24 - (Type W)

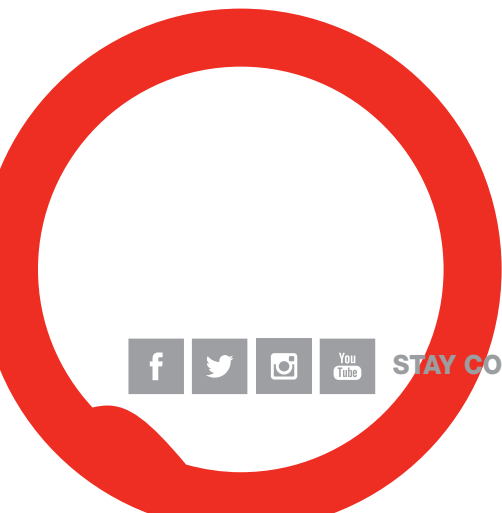
Estimated Fitting Time: 60 Minutes

Remove the original nut from the rear foot-peg. Using the original bolt fasten the bracket to the rear foot-peg.



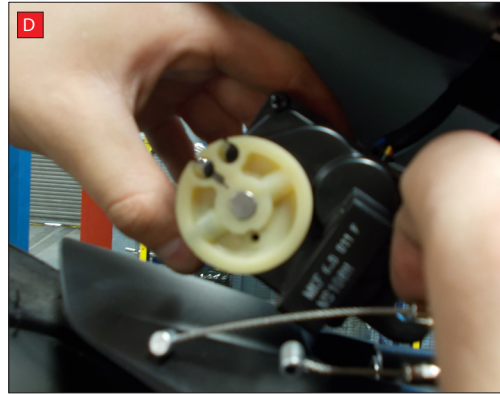
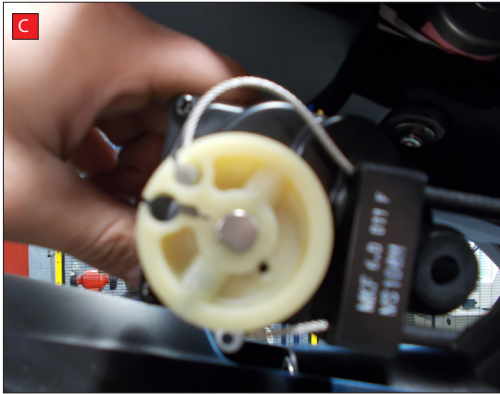
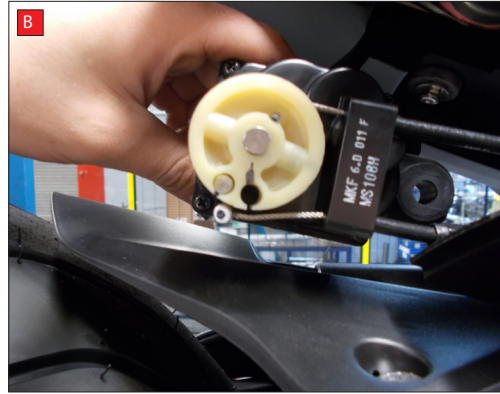
NO.	PART NO.	DESCRIPTION	QTY
1	RSC395	Serket Taper Silencer with intergrated CP940	1
Fit Kit - Z039.10603			
2	Z017.10073	M8 x 25mm Cap Head Bolt	1
3	Z026.20068	Alloy Bolt Finisher	1
4	Z015.31317	Mounting Bracket	1
5	Z017.10831	M8 x 17mm Washer	1
6	Z017.10062	M8 Nyloc Nut	1
7	Z016.10064	63 - 68mm H/D Clamp	1

E-MARK	BSAU 193a 1990/T3
DATE	16/10/2018
ISSUE	01
AUTHORISED	J.Harkin



STAY CONNECTED TO RED POWER.

Bike	Honda CBR1000RR Fireblade	Part No.	RHA-175
Year	2017-Current	Fit Kit	Z039.10603
Notes	Use standard fittings where not supplied Remove standard gasket if fitted.	Features	



NOTE: Before you remove the original exhaust you need to disconnect the valve. See instructions below.

A) Unbolt the valve motor from the underside of the rear fairing.

B) Unhook the shorter cable from the servo wheel.

C) Rotate the servo wheel to reduce the tension on the longer cable.

D) Remove the other cable and thread both cables back through the frame of the bike.

E) Re-fit the valve motor to the underside of the rear fairing.

Bike	Honda CBR1000RR Fireblade	Part No.	RHA-175
Year	2017-Current	Fit Kit	Z039.10603
Notes	Use standard fittings where not supplied Remove standard gasket if fitted.	Features	

Estimated Fitting Time: 60 Minutes



A) Remove original exhaust from bike, taking care to keep all original components in a safe place.

B) Refit Scorpion exhaust as per line diagram above.

C) When fitted take bike for a short ride to ensure all functions are correct.

D) When bike & exhaust are cool enough check all nuts and bolts are still secure.

Thank you for purchasing your Scorpion Silencer.

Care of your exhaust: Please refrain from cleaning silencer with heavy solvents or abrasives!

Vielen Dank Für den kauf eines Scorpion Schalldampfers! Pflegehinweis: Bitte verwenden Sie niemals Scheuermittel oder aggressive Reiniger zur Pflege Ihres Auspuffes!

Merci d'avoir choisi un echappement Scorpion.

Entretien de votre silencieux: Ne pas utiliser de solvants ou de produits abrasifs!

Muchas gracias por adquirir un Silencioso Scorpion. Le recomendamos no limpiar el silencioso con productos abrasivos o aquellos que contengan disolventes.



STAY CONNECTED TO RED POWER.