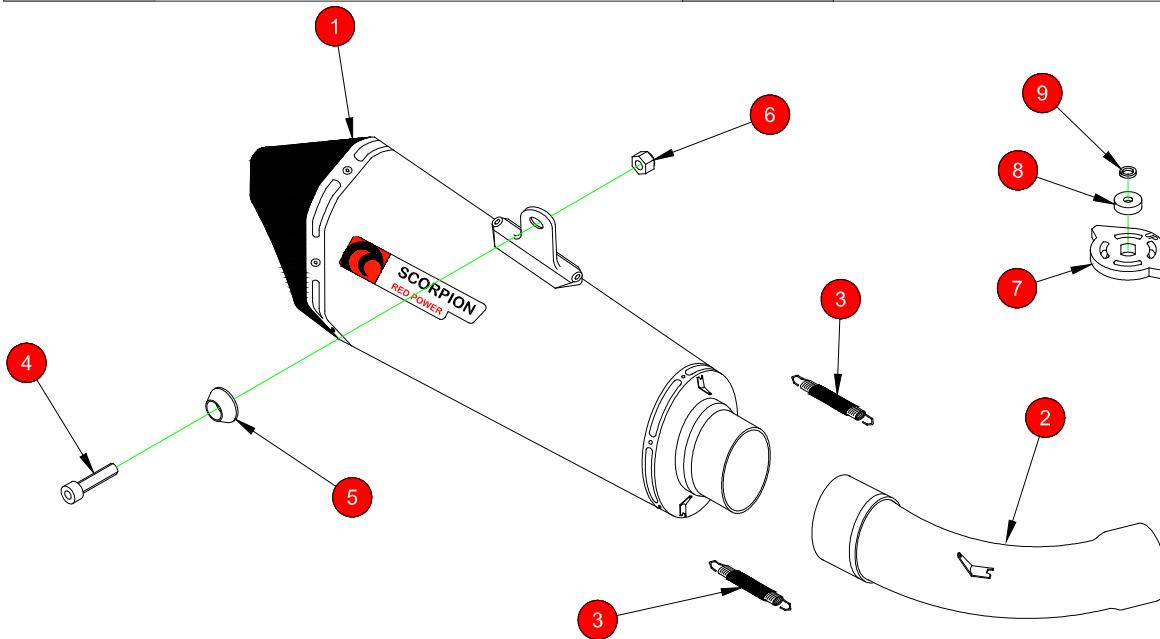


BIKE	KAWASAKI ZX-10 R	PART NO.	RKA - 80
YEAR	2008 - 2010	FIT KITS	Z039.10491
NOTES	Use standard fittings where not supplied Remove standard gasket if fitted.	DB-Killer	SCEXDBK23 - (Type V)

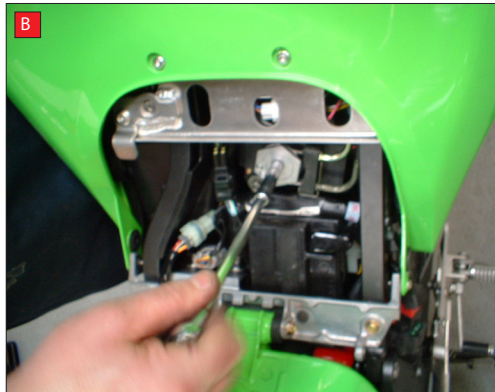
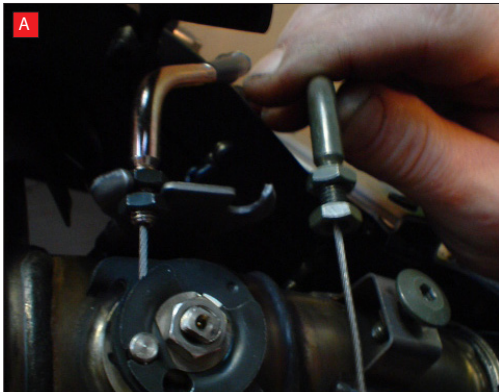


DO NOT TURN ON BIKE UNTIL INSTALLATION IS COMPLETE AND SERVO WHEEL HAS BE FULLY INSTALLED.

- | | |
|--|---------------------------------|
| 1 275mm Serket Taper Silencer RSC270 | 7 Servo Wheel (Z007.10955) |
| 2 Connecting Pipe CP734 | 8 Aluminium Collar (Z026.20045) |
| 3 2 x Rubber Coated Springs (Z028.10030) | 9 M6 Split Washer (Z017.10027) |
| 4 M8 x 35mm Cap Head Bolt (Z017.10075) | |
| 5 Aluminium Bolt Finisher (Z026.20068) | |
| 6 M8 Nyloc Nut (Z017.10062) | |

E-MARK	KA80 e4 2363 ©
ISSUE NO.	02
DATE	17/10/2018
AUTHORISED	J.Harkin
CHECKED	

NOTE: ENSURE SCORPION SYSTEM IS CLEAR OF MOVING PARTS AND ALL ORIGINAL FUNCTIONS WORK CORRECTLY.



A) Disconnect cables on exhaust valve and leave loose.

B) To disconnect cables at the servo box end, you have to remove the hexagonal wheel, without turning it's shaft. Remove bolt in centre of hexagonal wheel using an 8mm socket. Support wheel if tight.

C) Remove hexagonal wheel from shaft, retaining OE bolt. DO NOT turn shaft. Remove spring clip retaining cables and completely remove the cables.

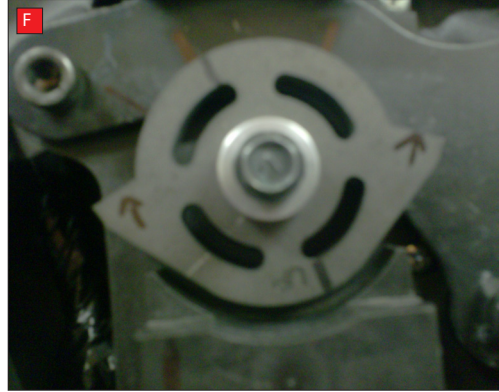


D) The replacement wheel comes with an aluminium collar & spring washer that is secured in place with OE bolt – TIGHTEN TO 5ft/lb USING A TORQUE WRENCH.

Box: PLOCK 1

BIKE	KAWASAKI ZX-10 R	PART NO.	RKA-80
YEAR	2008 - 2010	FIT KITS	Z039.10491
NOTES	Where not supplied use original fittings.	FEATURES	

CONTINUED FROM OVERLEAF:



The replacement wheel must be fitted with the etched letters "UP"

E IS RIGHT!
F IS WRONG!

Box: PLOCK 1

BIKE	KAWASAKI ZX 10 R	PART NO.	RKA-80
YEAR	2008-2010	FIT KITS	Z039.10491
NOTES		FEATURES	

Thank you for purchasing your Scorpion Silencer.

Care of your exhaust: Please refrain from cleaning silencer with heavy solvents or abrasives!

Vielen Dank für den Kauf eines Scorpion Schalldämpfers! Pflegehinweis: Bitte verwenden Sie niemals Scheuermittel oder aggressive Reiniger zur Pflege Ihres Auspuffes!

Merci d'avoir choisi un échappement Scorpion.

Entretien de votre silencieux: Ne pas utiliser de solvants ou de produits abrasifs!

"Muchas gracias por adquirir un Silencioso Scorpion. Le recomendamos no limpiar el silencioso con productos abrasivos o aquellos que contengan disolventes."