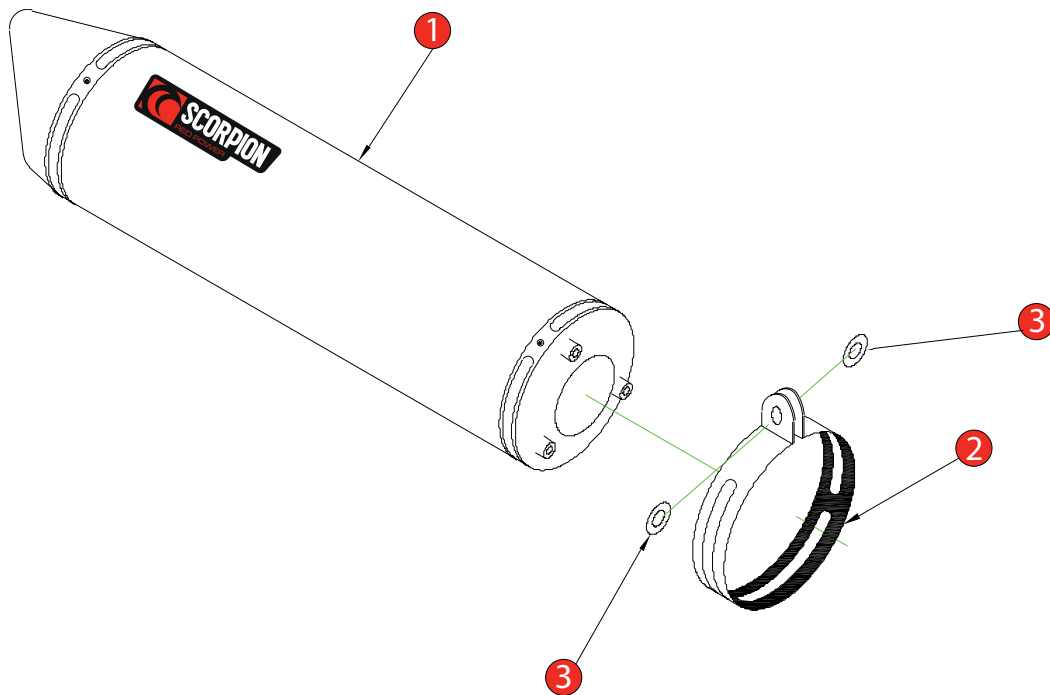


Box: PLOCK 1

BIKE	KAWASAKI ZX 7R	PART NO.	EKA - 55
YEAR	1996 - 2003	FIT KITS	OVAL Z039.11042 // ROUND Z039.10042
NOTES	Ensure billet is fitted with M8 x 16 Cap heads & spring washers prior to despatch	DB-Killer	SCEXDBK12 - (Type B)



- 1 450mm Silencer (R-ZE40.25A) (O-ZE40.36A)
- 2 Composite Silencer Strap (R-Z038.10090)(O-Z038.10088)
- 3 2 x M8 x 25mm Washers (Z017.10825)

E-MARK ROUND	SCDB-RB e4 2103
E-MARK OVAL	SCDB-OB e4 2104
ISSUE NO.	08
DATE	17/10/2018
AUTHORISED	J.Harkin
CHECKED	

NOTE: ENSURE SCORPION SYSTEM IS CLEAR OF MOVING PARTS AND ALL ORIGINAL FUNCTIONS WORK CORRECTLY.

A) Remove original exhaust from bike, taking care to keep all original components in a safe place.

B) Refit Scorpion exhaust as per line diagram above.

C) When fitted take bike for a short ride to ensure all functions are correct.

D) When bike & exhaust are cool enough check all nuts and bolts are still secure.