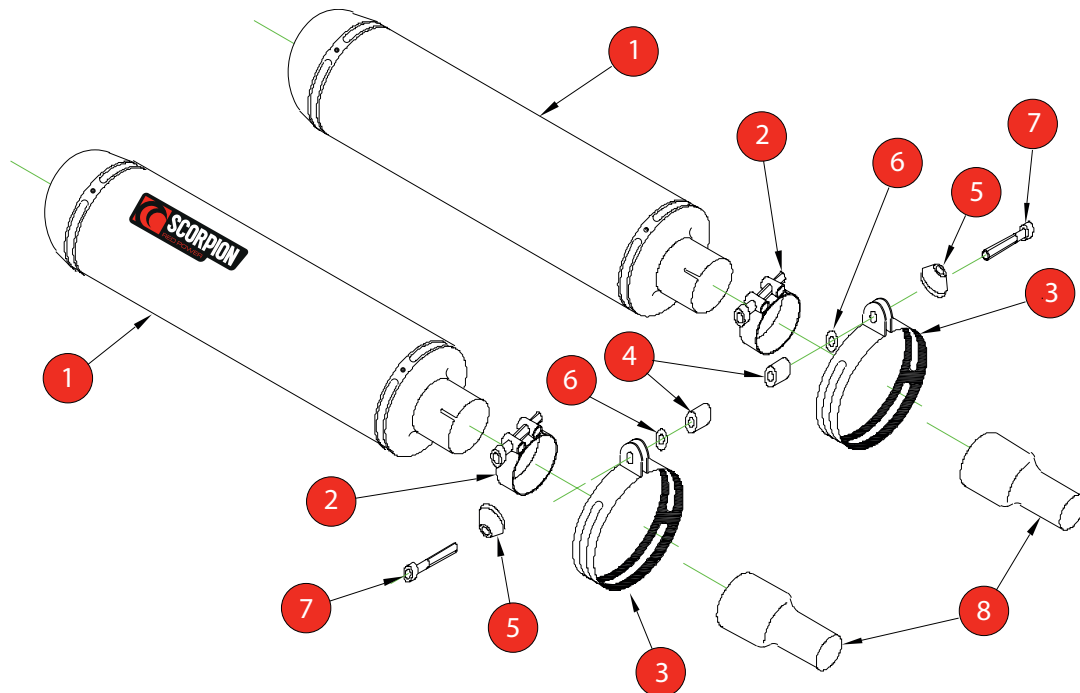


Box: PLOCK 2

BIKE	Triumph Speed Triple 1050	PART NO.	ETR-60
YEAR	2005-10	FIT KITS	OVAL Z039.11195
NOTES	Remove OE gaskets from Header Pipes before fitting CP329	DB-Killer	2 x SCEXDBK12 - (Type B)



- 1 2 x 300mm Oval Silencers ESC 84
- 2 2 x 55-59mm Band Clamps (Z016.10004)
- 3 Composite Silencer Straps (Z038.10088)
- 4 2 x 25mm Aluminium Spacers (Z026.10007)
- 5 2 x Aluminium Bolt Finishers (Z026.20068)
- 6 2 x M8 x 25mm Washers (Z017.10825)
- 7 2 x M8 x 70mm Cap Head Bolts (Z017.10082)

- 8 2 x Connecting Pipes CP 329

E-MARK ROUND	N/A
E-MARK OVAL	BSAU 193a 1990/t3
ISSUE NO.	07
DATE	04/08/21
AUTHORISED	M.Ydlibi
CHECKED	

**NOTE:** ENSURE SCORPION SYSTEM IS CLEAR OF MOVING PARTS AND ALL ORIGINAL FUNCTIONS WORK CORRECTLY.



A) Remove original exhaust from bike, taking care to keep all original components in a safe place.

B) Refit Scorpion exhaust as per line diagram above.

C) When fitted take bike for a short ride to ensure all functions are correct.

D) When bike & exhaust are cool enough check all nuts and bolts are still secure.