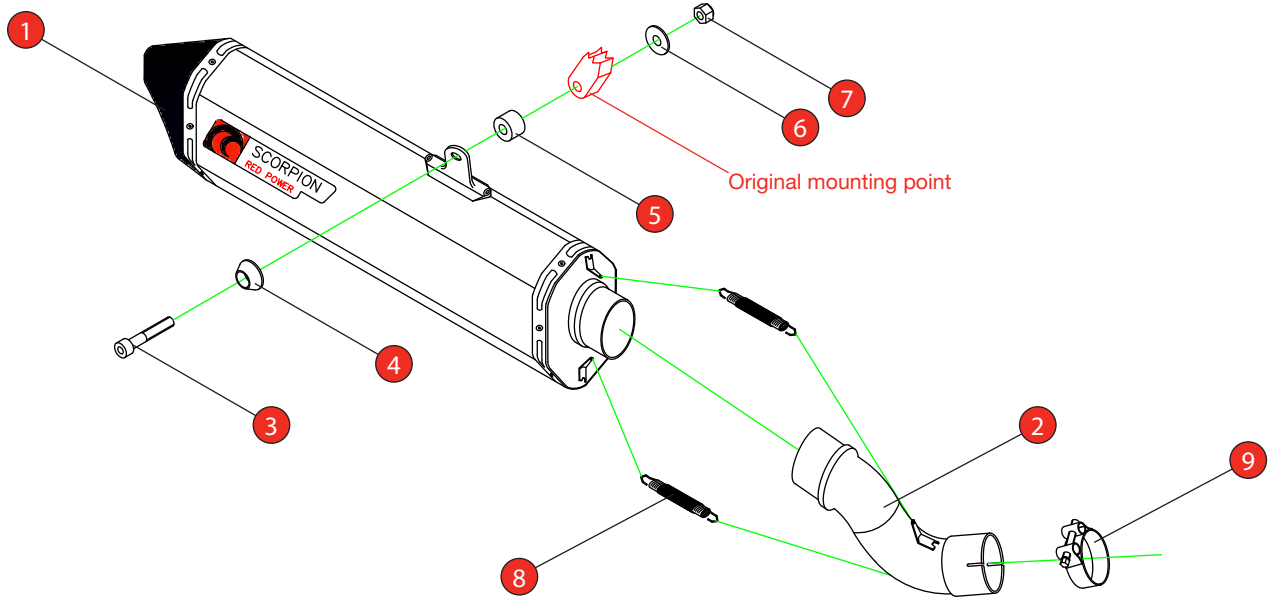


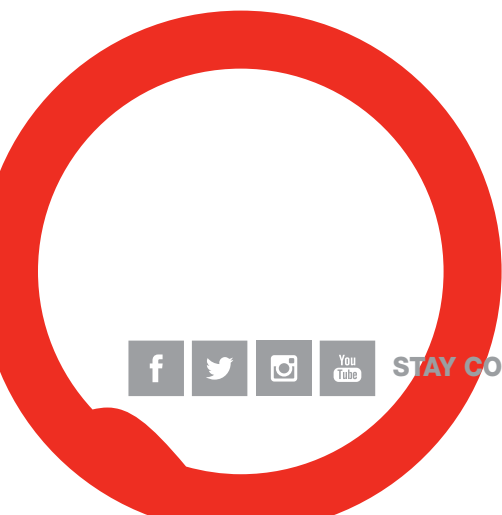
Bike	Suzuki V-Strom 1000	Part No.	RSI-115
Year	2014-19	Fit Kit	Z039.10517
Notes	Where not supplied use original fittings	dB Killer	SCEXDBK23 - (Type V)

Estimated Fitting Time: 60 Min-



NO.	PART NO.	DESCRIPTION	QTY
1	RSC410	400mm Serket Silencer	1
2	CP781	Connecting Pipe	1
Fit Kit - Z039.10517			
3	Z017.10079	M8 x 55mm Cap Head Bolt	1
4	Z026.20068	Alloy Bolt Finisher	1
5	Z026.10004	10mm Alloy Sapcer	1
6	Z017.12754	M8 x 30mm Washer	1
7	Z017.10062	M8 Nyloc Nut	1
8	Z028.10030	Rubber Coated Spring	2
9	Z016.10004	55-59mm Clamp	1

E-MARK	BSAU 193a 1990/t3
DATE	14/04/21
ISSUE	04
AUTHORISED	M.Ydlibi



STAY CONNECTED TO RED POWER.

Bike	Suzuki V-Strom	Part No.	RSI-
Year	2014-Cur-	Fit Kit	Z039.10517
Notes	Where not supplied use original	dB Killer	SCEXDBK23 - (Type

Estimated Fitting Time: 60 Min-



A) Remove original exhaust from bike, taking care to keep all original components in a safe place.

B) Refit Scorpion exhaust as per line diagram above.

C) When fitted take bike for a short ride to ensure all functions are correct.

D) When bike & exhaust are cool enough check all nuts and bolts are still secure.

Thank you for purchasing your Scorpion Silencer.

Care of your exhaust: Please refrain from cleaning silencer with heavy solvents or abrasives!

Vielen Dank Fur den kauf eines Scorpion Schalldampfers! Pflegehinweis: Bitte verwenden Sie niemals Scheuermittel oder aggressive Reiniger zur Pflege Ihres Auspuffes!

Merci d'avoir choisi un echappement Scorpion.

Entretien de votre silencieux: Ne pas utiliser de solvants ou de produits abrasifs!

Muchas gracias por adquirir un Silencioso Scorpion. Le recomendamos no limpiar el silencioso con productos abrasivos o aquellos que contengan disolventes.



STAY CONNECTED TO RED POWER.