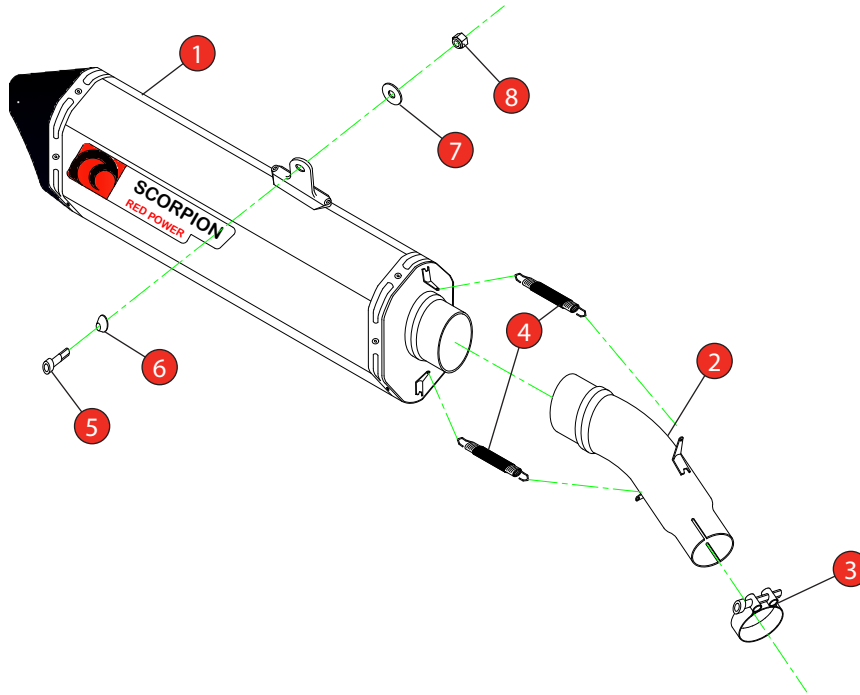


Bike	Kawasaki Z125	Part No.	RKA-125
Year	2018-Current	Fit Kit	Z039.10647
Notes	Where not supplied use original fittings. Remove OE Silencer Gasket if fitted.	dB Killer	SCEXDBK42 - (TYPE MM)

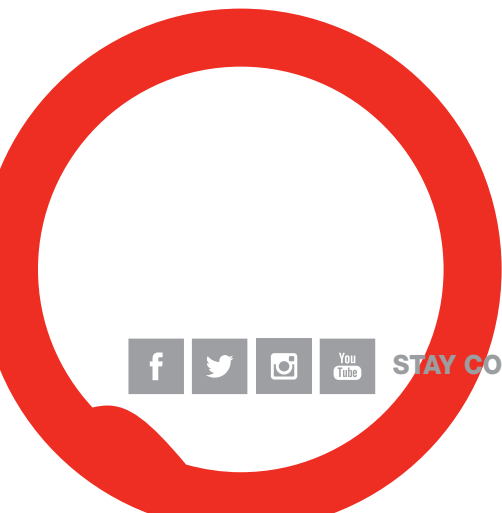
Estimated Fitting Time: 45 Minutes



NO.	PART NO.	DESCRIPTION	QTY
1	RSC448	300mm Serket Parallel Silencer	1
2	CP1017	Connecting Pipe	1
Fit Kit - Z039.10647			
3	Z016.10006	37-40mm Band Clamp	1
4	Z028.10030	Rubber Coated Springs	2
5	Z017.10080	M8x60mm Caphead Bolt	1
6	Z026.20068	Alloy Bolt Finisher	1
7	Z017.10825	M8x25mm Washer	1
8	Z017.10062	M8 Nyloc Nut	1

E-MARK	BSAU 193a 1993t3
DATE	13/03/2019
ISSUE	00
AUTHORISED	J.Harkin

NOTE: ENSURE SCORPION SYSTEM IS CLEAR OF MOVING PARTS AND ALL ORIGINAL FUNCTIONS WORK CORRECTLY.



STAY CONNECTED TO RED POWER.

Bike	Kawasaki Z125	Part No.	RKA-125
Year	2018-Current	Fit Kit	Z039.10647
Notes	Where not supplied use original fittings. Remove OE Silencer Gasket if fitted.	dB Killer	SCEXDBK42 - (TYPE MM)

Estimated Fitting Time: 45 Minutes



A) Remove original exhaust from bike, taking care to keep all original components in a safe place.

B) Refit Scorpion exhaust as per line diagram above.

C) When fitted take bike for a short ride to ensure all functions are correct.

D) When bike & exhaust are cool enough check all nuts and bolts are still secure.

Thank you for purchasing your Scorpion Silencer.

Care of your exhaust: Please refrain from cleaning silencer with heavy solvents or abrasives!

Vielen Dank Für den kauf eines Scorpion Schalldampfers! Pflegehinweis: Bitte verwenden Sie niemals Scheuermittel oder aggressive Reiniger zur Pflege Ihres Auspuffes!

Merci d'avoir choisi un echappement Scorpion.

Entretien de votre silencieux: Ne pas utiliser de solvants ou de produits abrasifs!

Muchas gracias por adquirir un Silencioso Scorpion. Le recomendamos no limpiar el silencioso con productos abrasivos o aquellos que contengan disolventes.



STAY CONNECTED TO RED POWER.