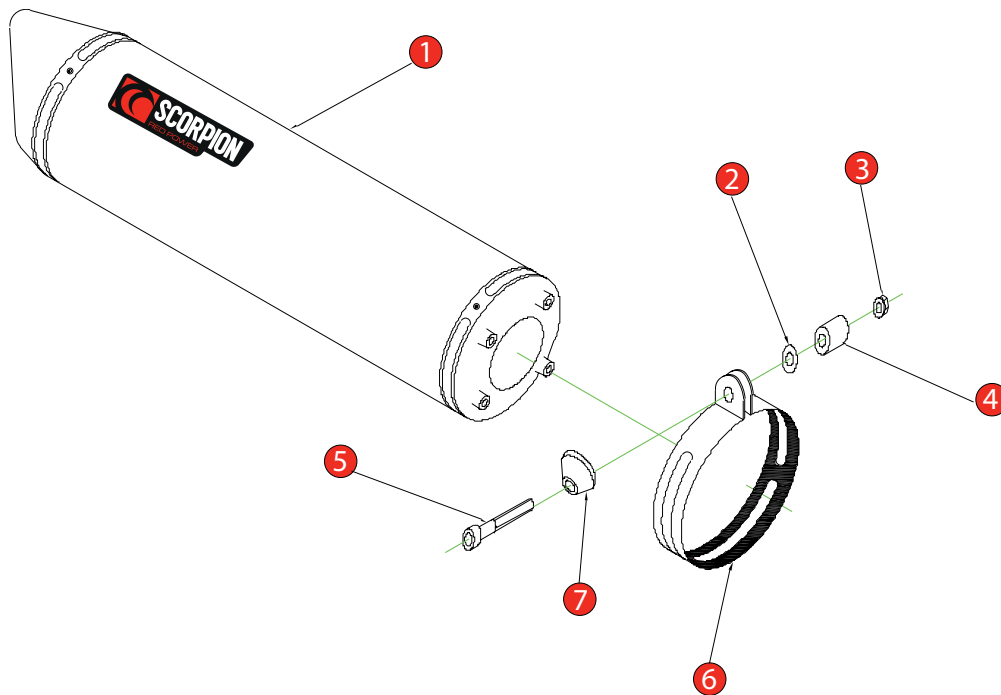


Box: PLOCK 1

BIKE	SUZUKI GSXR 600 Y - K	PART NO.	ESI - 72
YEAR	2000 - 2005	FIT KITS	OVAL Z039.11079// ROUND Z039.10079
NOTES	Ensure billet is fitted with M8 x 16mm cap head bolts & spring washers	DB-Killer	SCEXDBK12 - (Type B)



- 1 450mm Silencer (R-Z040.17H) (O-Z040.18H)
- 2 M8 x 25mm Washer (z017.10825)
- 3 M8 Nyloc Nut (Z017.10062)
- 4 15mm Spacer (Z026.10005)
- 5 M8 x 50mm Cap Head Bolt (Z017.10078)
- 6 Composite Silencer Strap (R-Z038.10089)(O-Z038.10088)
- 7 Aluminium Bolt Finisher (Z026.10825)

E-MARK ROUND	SCDB-RB e4 2103
E-MARK OVAL	SCDB-RB e4 2103
ISSUE NO.	08
DATE	19/10/2018
AUTHORISED	J.Harkin
CHECKED	

NOTE: ENSURE SCORPION SYSTEM IS CLEAR OF MOVING PARTS AND ALL ORIGINAL FUNCTIONS WORK CORRECTLY.



A) Remove original exhaust from bike, taking care to keep all original components in a safe place.

B) Refit Scorpion exhaust as per line diagram above.

C) When fitted take bike for a short ride to ensure all functions are correct.

D) When bike & exhaust are cool enough check all nuts and bolts are still secure.