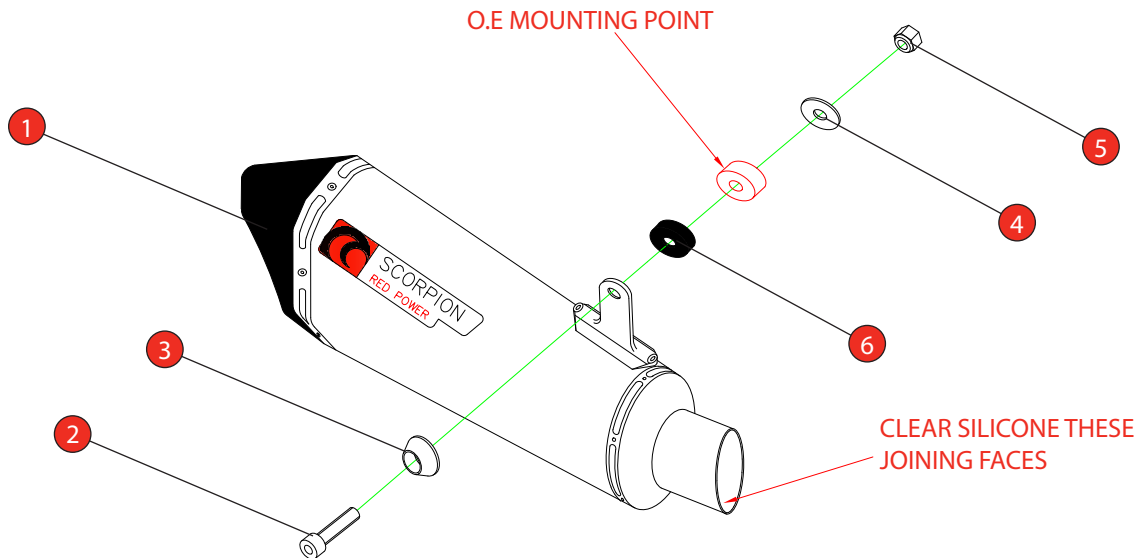


Box: PLOCK 1 Estimated Fitting Time: 1 Hour

BIKE	Yamaha MT-10	PART NO.	RYA-102
YEAR	2016-19	FIT KITS	Z039.10589
NOTES	Where not supplied use original fittings.	DB-Killer	N/A



- | | |
|--|---|
| 1 Serket Taper Silencer (RSC373) | 4 M8 x 25mm Washer (Z017.10825) |
| 2 M8 x 45mm Cap Head Bolt (Z017.10077) | 5 M8 Nyloc Nut (Z017.10062) |
| 3 Alloy Bolt Finisher (Z026.20068) | 6 M8 x 5mm Black Anodised Spacer (Z026.20281) |

NOTE: ENSURE SCORPION SYSTEM IS CLEAR OF MOVING PARTS AND ALL ORIGINAL FUNCTIONS WORK CORRECTLY.

E-MARK	BSAU 193a 1990/t3
ISSUE NO.	06
DATE	28/06/21
AUTHORISED	M.Ydlibi
CHECKED	



A) Remove original exhaust from bike, taking care to keep all original components in a safe place.

B) Refit Scorpion exhaust as per line diagram above.

C) When fitted take bike for a short ride to ensure all functions are correct.

D) When bike & exhaust are cool enough check all nuts and bolts are still secure.

Box: PLOCK 1

BIKE	Yamaha MT-10	PART NO.	RYA-102
YEAR	2016-19	FIT KITS	Z039.10589
NOTES	Where not supplied use original fittings.	FEATURES	

Thank you for purchasing your Scorpion Silencer.

Care of your exhaust: Please refrain from cleaning silencer with heavy solvents or abrasives!

Vielen Dank für den Kauf eines Scorpion Schalldämpfers! Pflegehinweis: Bitte verwenden Sie niemals Scheuermittel oder aggressive Reiniger zur Pflege Ihres Auspuffes!

Merci d'avoir choisi un échappement Scorpion.

Entretien de votre silencieux: Ne pas utiliser de solvants ou de produits abrasifs!

Muchas gracias por adquirir un Silencioso Scorpion. Le recomendamos no limpiar el silencioso con productos abrasivos o aquellos que contengan disolventes.