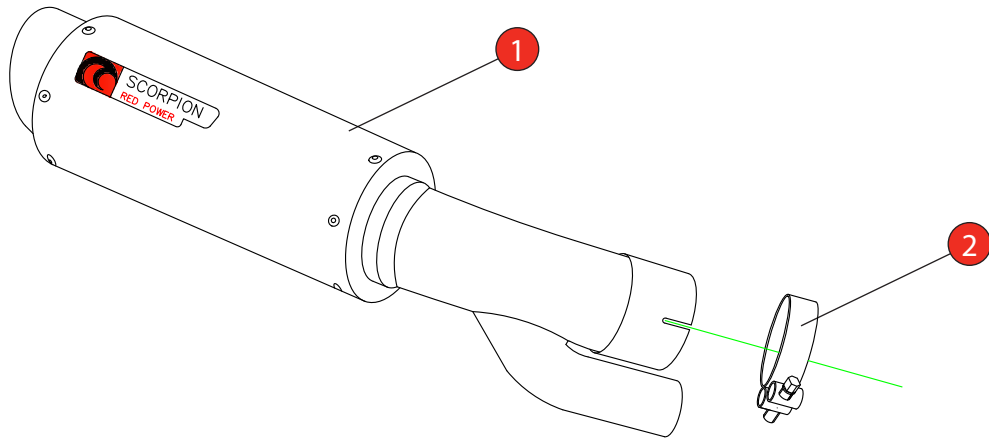


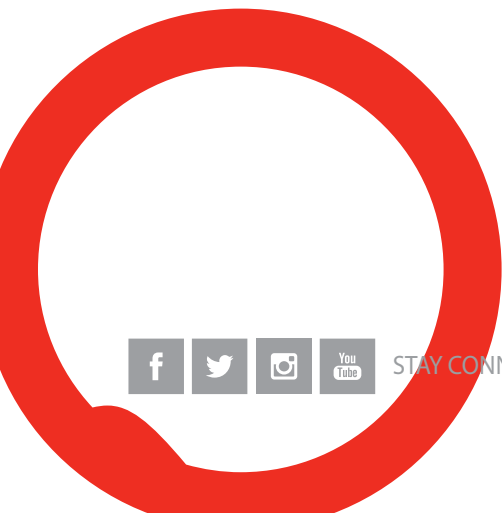
Bike	BMW S1000 RR	Part No.	BM-1005
Year	2017-Current	Fit Kit	Z039.10612
Notes	Where not supplied use original fittings	dB Killer	N/A

Estimated Fitting Time: 60 Minutes



NO.	PART NO.	DESCRIPTION	QTY
1	SC412	RP1-GP Silencer With Intergrated CP952	1
Fit Kit - Z039.10612			
2	Z016.10002	51-55mm Clamp	1

E-MARK	BSAU 193a 1990/T3
DATE	10/10/17
ISSUE	01
AUTHORISED	M.Ydlibi



STAY CONNECTED TO RED POWER.

Bike	BMW S1000 RR	Part No.	BM-1005
Year	2017-2018	Fit Kit	Z039.10612
Notes	Where not supplied use original fittings	dB Killer	N/A

Estimated Fitting Time: 60 Minutes



A) Remove original exhaust from bike, taking care to keep all original components in a safe place.

B) Refit Scorpion exhaust as per line diagram above.

C) When fitted take bike for a short ride to ensure all functions are correct.

D) When bike & exhaust are cool enough check all nuts and bolts are still secure.

Thank you for purchasing your Scorpion Silencer.

Care of your exhaust: Please refrain from cleaning silencer with heavy solvents or abrasives!

Vielen Dank für den Kauf eines Scorpion Schalldämpfers! Pflegehinweis: Bitte verwenden Sie niemals Scheuermittel oder aggressive Reiniger zur Pflege Ihres Auspuffes!

Merci d'avoir choisi un échappement Scorpion.

Entretien de votre silencieux: Ne pas utiliser de solvants ou de produits abrasifs!

Muchas gracias por adquirir un Silencioso Scorpion. Le recomendamos no limpiar el silencioso con productos abrasivos o aquellos que contengan disolventes.



STAY CONNECTED TO RED POWER.