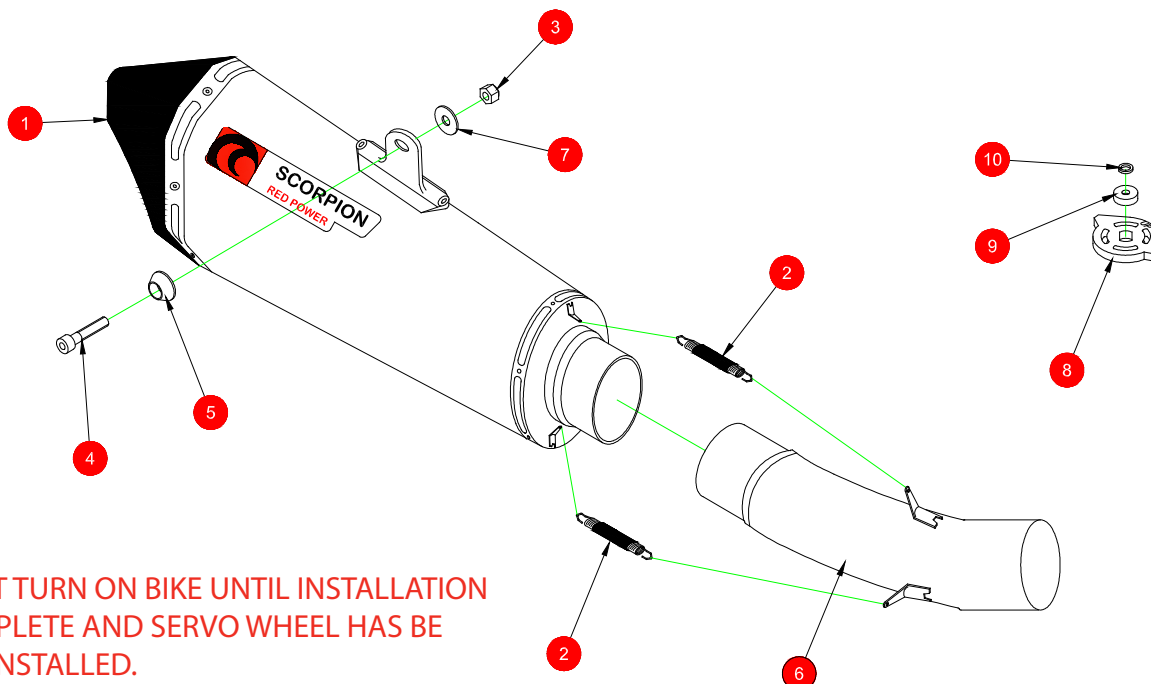


BIKE	KAWASAKI ZX-6R / ZX-636	PART NO.	RKA-97
YEAR	2013-18	FIT KITS	Z039.20476
NOTES	Use standard fittings where not supplied Remove standard gasket if fitted.	DB-Killer	SCEXDBK23 - (Type V)



DO NOT TURN ON BIKE UNTIL INSTALLATION IS COMPLETE AND SERVO WHEEL HAS BE FULLY INSTALLED.

- 1 Serket 275mm Conical Silencer RSC218
- 2 2 x Rubber Coated Springs (Z028.10030)
- 3 M8 Nyloc Nut (Z017.10062)
- 4 M8 x 45mm Cap Head Bolt (Z017.10077)
- 5 Aluminium Bolt Finisher (Z026.20068)
- 6 Connecting Pipe CP708

- 7 M8 x 17mm Washer (Z017.10831)
- 8 Servo Wheel (Z007.10955)
- 9 Aluminium Coller (Z026.20045)
- 10 M6 Split Washer (Z017.10027)

E-MARK	KA 85 e4 2359 9
ISSUE NO.	03
DATE	17/10/2018
AUTHORISED	J.Harkin
CHECKED	



Box: PLOCK 1

BIKE	KAWASAKI ZX-6R / ZX-636	PART NO.	RKA-97
YEAR	2013 - Current	FIT KITS	Z039.20476
NOTES	Use standard fittings where not supplied Remove standard gasket if fitted.	FEATURES	

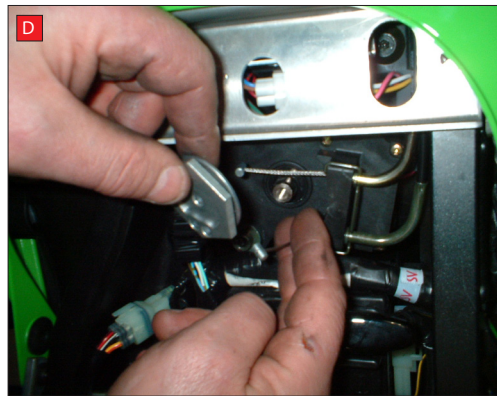
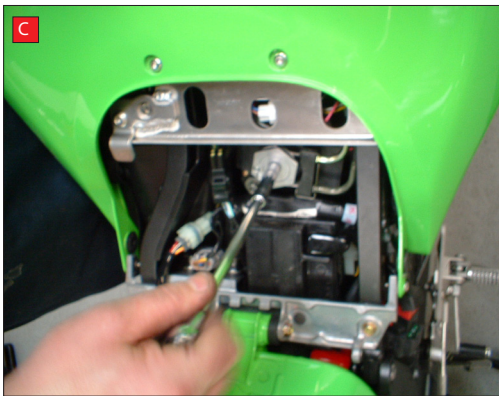
CONTINUED FROM OVERLEAF:



A) Remove both side plastics (2 off) by removing front screw then remove panels from clips and velcro.

B) Once done you can now access the two screws that hold the seat in place, one screw each side of seat, then slide off.

C) To disconnect cables at the seat end, you have to remove the hexagonal wheel, without turning its shaft. Remove bolt in centre of hexagonal wheel. Support wheel if tight.



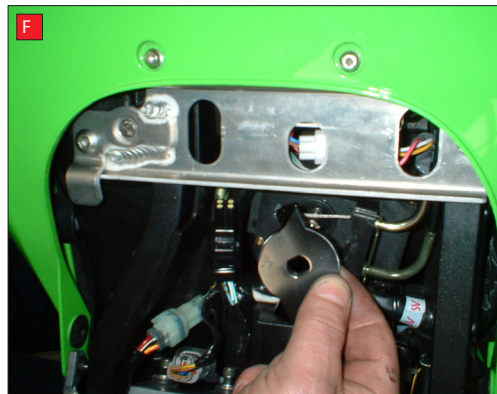
D) Remove hexagonal wheel from shaft, retaining OE bolt.

DO NOT TURN SHAFT.

Remove spring clip retaining cable and completely remove the cables.

E) The replacement wheel comes with an aluminium collar that is secured in place with OE bolt and split washer.

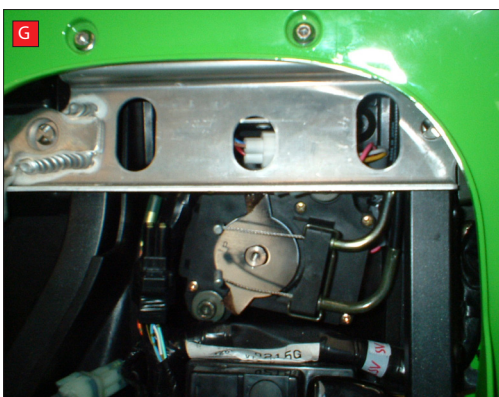
DO NOT OVER TIGHTEN.



F) The replacement wheel must be fitted with the etched letters "UP"

G) The replacement wheel will only fit **ONE WAY** with letters "UP". In case of difficulty please contact us.

With servo wheel fitted, the loose cables will be removed with rest of exhaust system.



Box: PLOCK 1

BIKE	KAWASAKI ZX-6R / ZX-636	PART NO.	RKA-97
YEAR	2013 - Current	FIT KITS	Z039.20476
NOTES	Use standard fittings where not supplied Remove standard gasket if fitted.	FEATURES	

Thank you for purchasing your Scorpion Silencer.

Care of your exhaust: Please refrain from cleaning silencer with heavy solvents or abrasives!

Vielen Dank Für den kauf eines Scorpion Schalldampfers! Pflegehinweis: Bitte verwenden Sie niemals Scheuermittel oder aggressive Reiniger zur Pflege Ihres Auspuffes!

Merci d'avoir choisi un echappement Scorpion.

Entretien de votre silencieux: Ne pas utiliser de solvants ou de produits abrasifs!

"Muchas gracias por adquirir un Silencioso Scorpion. Le recomendamos no limpiar el silencioso con productos abrasivos o aquellos que contengan disolventes."