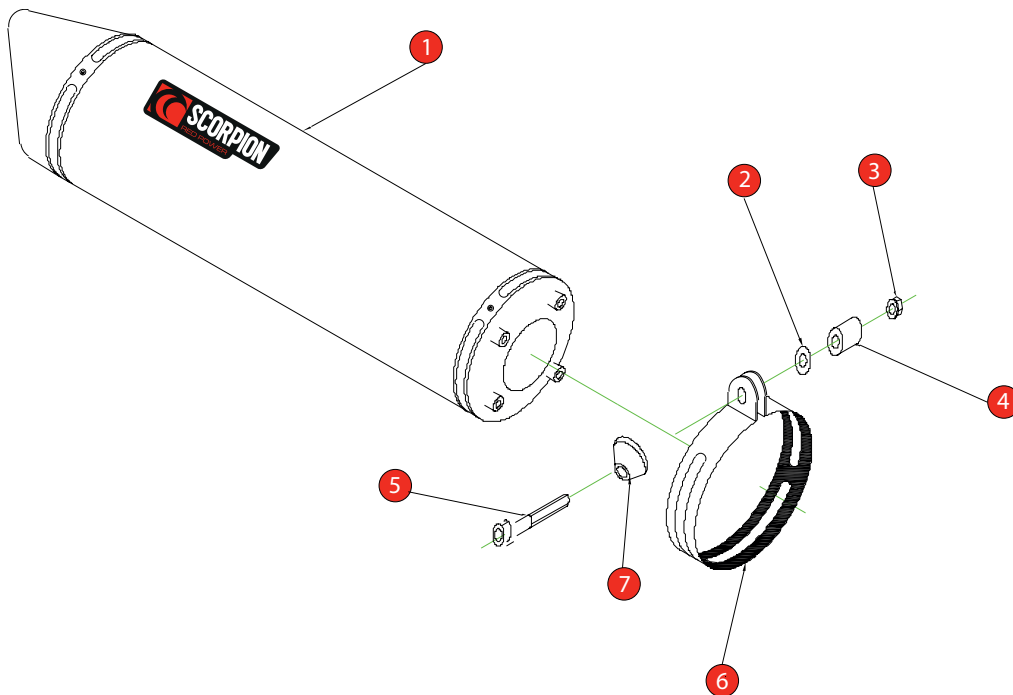


Box: PLOCK 1

BIKE	SUZUKI GSXR 1000	PART NO.	ESI - 71
YEAR	2001 - 2004	FIT KITS	OVAL Z039.11094 // ROUND Z039.10094
NOTES	Ensure billet is fitted with M8 x 16 Cap Heads & spring washers prior to despatch	DB-Killer	SCEXDBK12 - (Type B)



- 1 450mm Silencer (ZE40.17H)(ZE40.18H)
- 2 M* x 25mm Washer (Z017.10825)
- 3 M8 Nyloc Nut (Z017.10062)
- 4 15mm Spacer (Z026.10005)
- 5 M8 x 50mm Cap Head Bolt (Z017.10078)
- 6 Composite Strap (R-Z038.10089)(O-Z038.10088)
- 7 Aluminium Bolt Finisher (Z026.20068)

E-MARK ROUND	SCDB-RB [e4] 2103
E-MARK OVAL	SCDB-OB [e4] 2104
ISSUE NO.	08
DATE	22/10/2018
AUTHORISED	J.Harkin
CHECKED	

NOTE: ENSURE SCORPION SYSTEM IS CLEAR OF MOVING PARTS AND ALL ORIGINAL FUNCTIONS WORK CORRECTLY.

A) Remove original exhaust from bike, taking care to keep all original components in a safe place.

B) Refit Scorpion exhaust as per line diagram above.

C) When fitted take bike for a short ride to ensure all functions are correct.

D) When bike & exhaust are cool enough check all nuts and bolts are still secure.