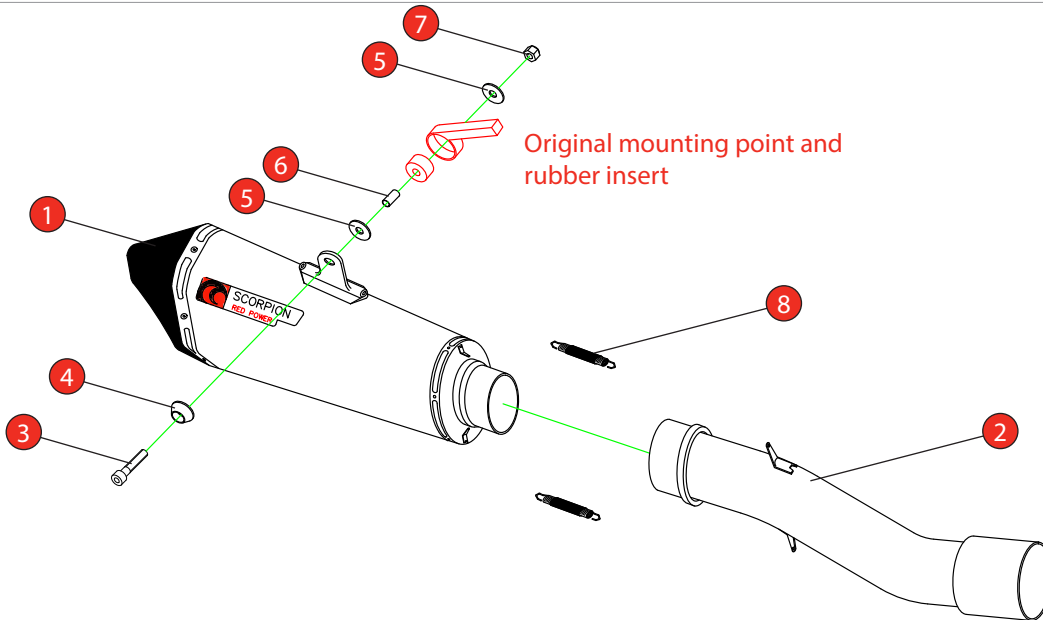


Bike	Ducati Monster 821	Part No.	RDI-66
Year	2018-Current	Fit Kit	Z039.10621
Notes	Where not supplied use original fittings	dB Killer	SCEXDBK23 - (Type V)

Estimated Fitting Time: 60 Minutes



NO.	PART NO.	DESCRIPTION	QTY
1	RSC231	Serket Taper Silencer	1
2	CP981	Connecting Pipe	1
Fit Kit - Z039.10621			
3	Z017.10076	M8 x 40mm Cap Head Bolt	1
4	Z026.20068	Alloy Bolt Finisher	1
5	Z017.12754	M8 x 30mm Washer	2
6	Z017.12787	Ø12.7mm Metal Insert	1
7	Z017.10062	M8 Nyloc Nut	1
8	Z028.10030	Rubber Coated Spring	2

E-MARK	BSAU 193a 1990/t3
DATE	22/06/18
ISSUE	01
AUTHORISED	M.Ydlibi

NOTE: ENSURE SCORPION SYSTEM IS CLEAR OF MOVING PARTS AND ALL ORIGINAL FUNCTIONS WORK CORRECTLY.



Note: Before mounting the exhaust use item 6 to secure the original rubber insert into the original mounting point.



STAY CONNECTED TO RED POWER.

Bike	Ducati Monster 821	Part No.	RDI-66
Year	2018-Current	Fit Kit	Z039.10621
Notes	Where not supplied use original fittings	dB Killer	SCEXDBK23 - (Type V)

Estimated Fitting Time: 60 Minutes



A) Remove original exhaust from bike, taking care to keep all original components in a safe place.

B) Refit Scorpion exhaust as per line diagram above.

C) When fitted take bike for a short ride to ensure all functions are correct.

D) When bike & exhaust are cool enough check all nuts and bolts are still secure.

Thank you for purchasing your Scorpion Silencer.

Care of your exhaust: Please refrain from cleaning silencer with heavy solvents or abrasives!

Vielen Dank Fur den kauf eines Scorpion Schalldampfers! Pflegehinweis: Bitte verwenden Sie niemals Scheuermittel oder aggressive Reiniger zur Pflege Ihres Auspuffes!

Merci d'avoir choisi un echappement Scorpion.

Entretien de votre silencieux: Ne pas utiliser de solvants ou de produits abrasifs!

Muchas gracias por adquirir un Silencioso Scorpion. Le recomendamos no limpiar el silencioso con productos abrasivos o aquellos que contengan disolventes.



STAY CONNECTED TO RED POWER.