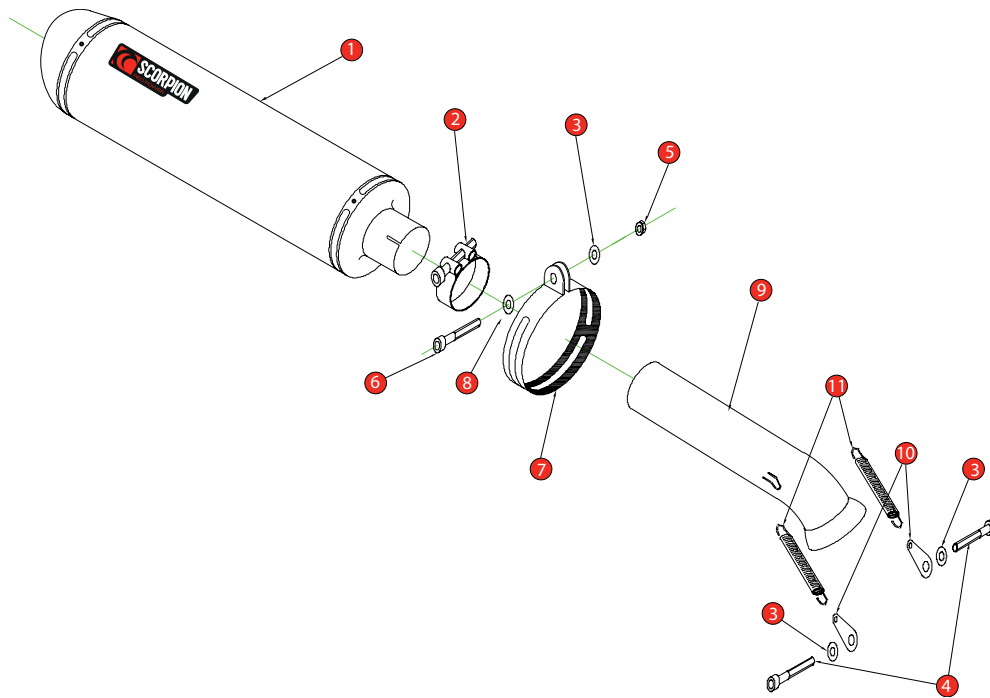


Box: PLOCK 1

BIKE	HONDA VFR 750F L,M,N,P	PART NO.	EHA - 71
YEAR	1989 - 1993	FIT KITS	OVAL Z039.11037// ROUND Z039.10037
NOTES	Use standard fittings where not supplied Remove standard gasket if fitted.	DB-Killer	SCEXDBK12 - (Type B)



1 450mm Silencer ESC 50	8 Alloy Bolt Finisher(Z026.20068)
2 51 - 55mm Band Clamp (Z016.10002)	9 Connecting Pipe CP 100
3 3 x M8 x 17mm Washers (Z017.10831)	10 2 x Mounting Brackets(015.10052)
4 2 x M8 x 16mm Cap Head Bolts (Z017.10808)	11 2 x Rubber Sleeved Springs (Z 0280,10030)
5 M8 Nyloc Nut (Z017.10062)	
6 M8 x 50mm Cap Head Bolt (Z017.10078)	
7 Composite Silencer Strap (R-Z038.10090) (O-Z038.10088)	

E-MARK ROUND	BSAU 193a 1990/t3
E-MARK OVAL	BSAU 193a 1990/t3
ISSUE NO.	07
DATE	17/10/2018
AUTHORISED	J.Harkin
CHECKED	

NOTE: ENSURE SCORPION SYSTEM IS CLEAR OF MOVING PARTS AND ALL ORIGINAL FUNCTIONS WORK CORRECTLY.

A) Remove original exhaust from bike, taking care to keep all original components in a safe place.

B) Refit Scorpion exhaust as per line diagram above.

C) When fitted take bike for a short ride to ensure all functions are correct.

D) When bike & exhaust are cool enough check all nuts and bolts are still secure.