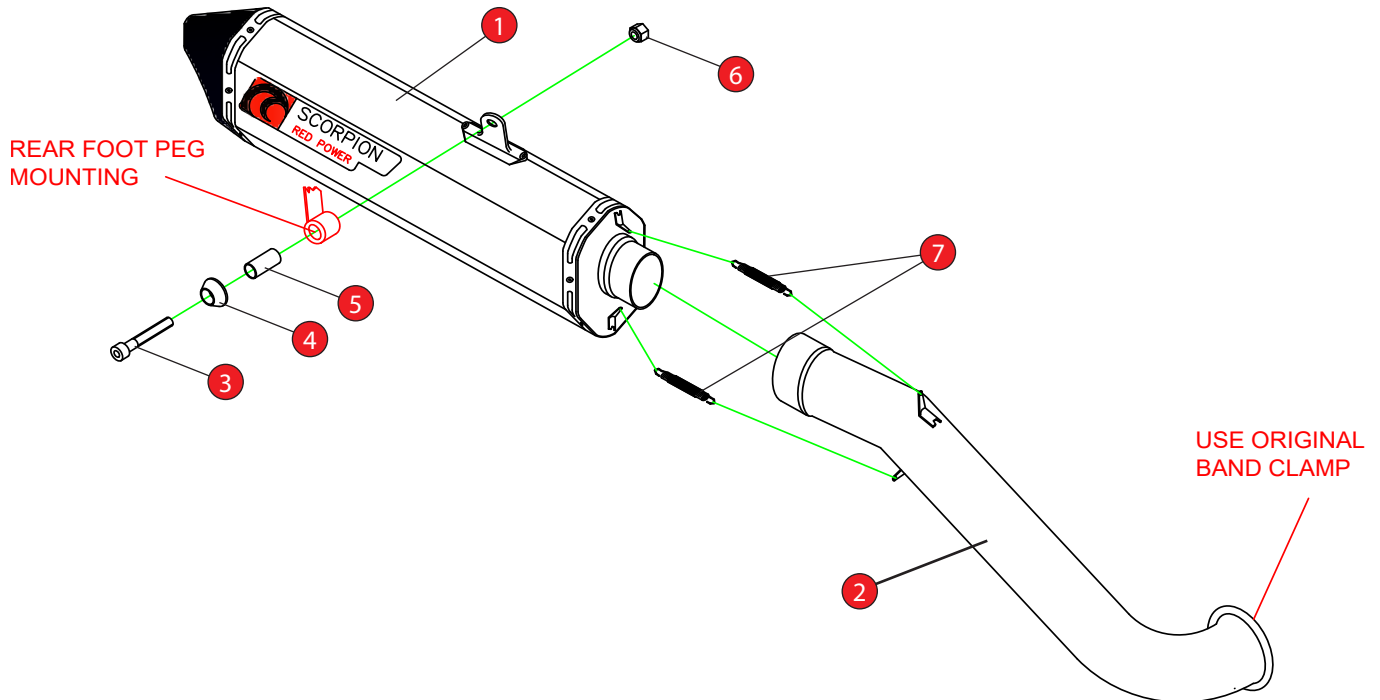


Box: PLOCK 2 Estimated Fitting Time: 60 Minutes

BIKE	KTM Duke 690	PART NO.	RKT-79
YEAR	2012-2016	FIT KITS	Z039.10568
NOTES	Where not supplied use original fittings.	DB-Killer	SCEXDBK24 - (Type W)



- 1 Serket Parallel Silencer RSC 356
- 2 Connecting Pipe CP890
- 3 M8 x 35mm Cap Head Bolt (Z017.10075)
- 4 Alloy Bolt Finisher (Z026.20068)
- 5 Ø12 x 16mm Tube (Z017.12775)
- 6 M8 Nyloc Nut (Z017.10062)
- 7 2 x Rubber Coating Springs (Z028.10030)

E-MARK	BSAU 193a 1990/t3
ISSUE NO.	04
DATE	14/04/21
AUTHORISED	M.Ydlibi
CHECKED	

NOTE: ENSURE SCORPION SYSTEM IS CLEAR OF MOVING PARTS AND ALL ORIGINAL FUNCTIONS WORK CORRECTLY.



A) Remove original exhaust from bike, taking care to keep all original components in a safe place.

B) Refit Scorpion exhaust as per line diagram above.

C) When fitted take bike for a short ride to ensure all functions are correct.

D) When bike & exhaust are cool enough check all nuts and bolts are still secure.

Box: PLOCK 2

BIKE	KTM Duke 690	PART NO.	RKT-79
YEAR	2012-2016	FIT KITS	Z039.10568
NOTES	Where not supplied use original fittings.	FEATURES	Db Killer: Z038.10050 (W)

Thank you for purchasing your Scorpion Silencer.

Care of your exhaust: Please refrain from cleaning silencer with heavy solvents or abrasives!

Vielen Dank Für den kauf eines Scorpion Schalldampfers! Pflegehinweis: Bitte verwenden Sie niemals Scheuermittel oder aggressive Reiniger zur Pflege Ihres Auspuffes!

Merci d'avoir choisi un echappement Scorpion.

Entretien de votre silencieux: Ne pas utiliser de solvants ou de produits abrasifs!

"Muchas gracias por adquirir un Silencioso Scorpion. Le recomendamos no limpiar el silencioso con productos abrasivos o aquellos que contengan disolventes."