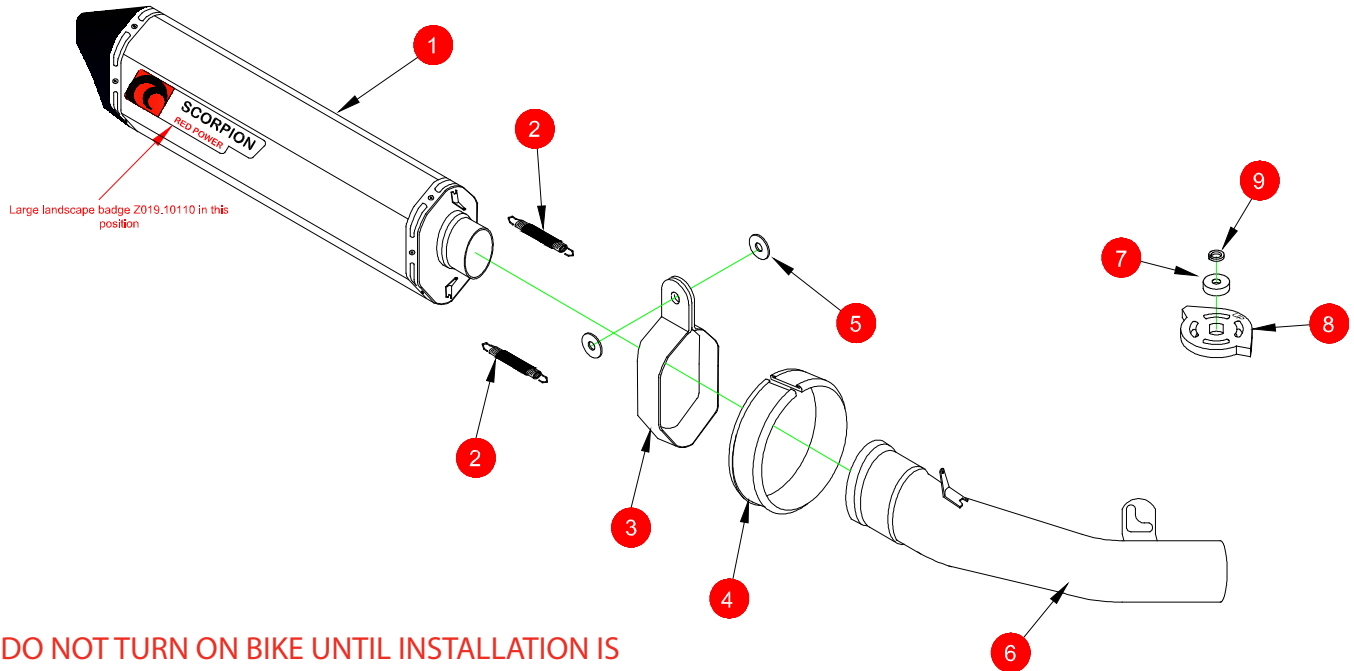


BIKE	KAWASAKI Z750	PART NO.	RKA-78
YEAR	2007 - 2012	FIT KITS	Z039.20405
NOTES	Where not supplied use original fittings. Remove O.E gasket before fitting item 6. Use large landscape badge (Z019.10110)	DB-Killer	SCEXDBK23 - (Type V)



**DO NOT TURN ON BIKE UNTIL INSTALLATION IS COMPLETE AND SERVO WHEEL HAS BE FULLY INSTALLED.**

- |   |  |
|---|--|
| 1 RSC-186 400mm Serket Silencer                       | 8 Replacement Servo Wheel (Z007.10955) |
| 2 2 x Rubber Coated Springs (Z028.10030)              | 9 M6 Split Washer (Z017.10027)         |
| 3 Red Power Silencer Strap (Z028.20137)               |  |
| 4 Strap Rubber 363mm long (slim profile) (Z029.10024) |  |
| 5 2 x M8x25mm Washer (Z017.10825)                     |  |
| 6 Connecting Pipe CP622                               |  |
| 7 Aluminium Coller (Z026.20045)                       |  |

E-MARK PIPE	KA-780 [e4] 2287 ⑤
E-MARK	KA-780 [e4] 2287 ⑨
ISSUE NO.	02
DATE	18/10/2018
AUTHORISED	J.Harkin
CHECKED	

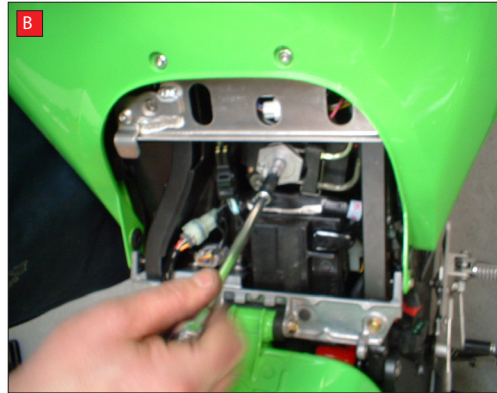
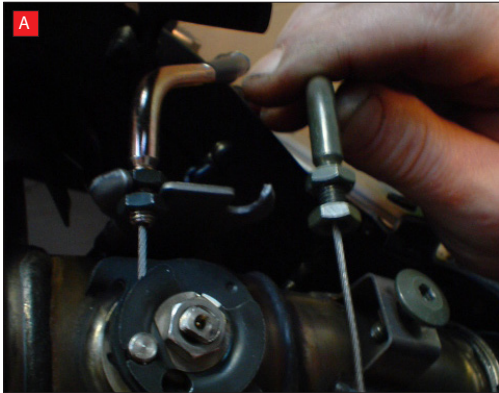
**NOTE:** ENSURE SCORPION SYSTEM IS CLEAR OF MOVING PARTS AND ALL ORIGINAL FUNCTIONS WORK CORRECTLY.



Box: PLOCK 1

BIKE	KAWASAKI Z750	PART NO.	RKA-78
YEAR	2007 - 2012	FIT KITS	Z039.20405
NOTES	Where not supplied use original fittings. Remove O.E gasket before fitting item 6. Use large landscape badge (Z019.10110)	FEATURES	

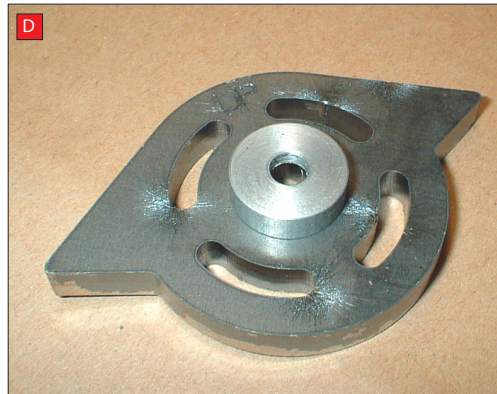
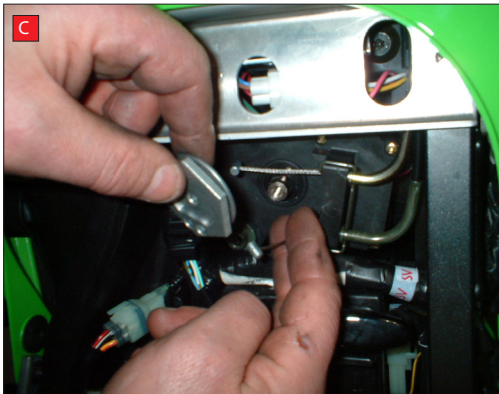
CONTINUED FROM OVERLEAF:



A) Disconnect cables on exhaust valve and leave loose.

B) To disconnect cables at the servo box end, you have to remove the hexagonal wheel, without turning its shaft. Remove bolt in centre of hexagonal wheel using an 8mm socket. Support wheel if tight.

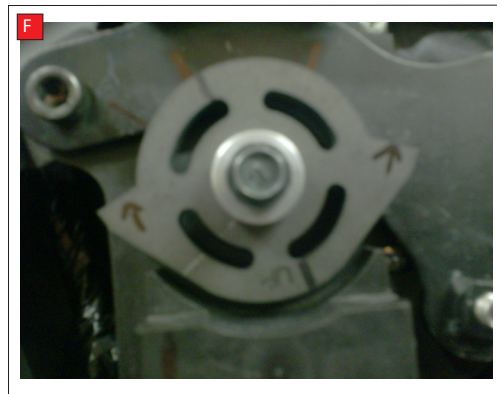
C) Remove hexagonal wheel from shaft, retaining OE bolt. DO NOT turn shaft. Remove spring clip retaining cables and completely remove the cables.



D) The replacement wheel comes with an aluminium collar & spring washer that is secured in place with OE bolt – TIGHTEN TO 5ft/lb USING A TORQUE WRENCH.

The replacement wheel must be fitted with the etched letters "UP"

E IS RIGHT!  
F IS WRONG!



Box: PLOCK 1

BIKE	KAWASAKI Z750	PART NO.	RKA-78
YEAR	2007 - 2012	FIT KITS	Z039.20405
NOTES		FEATURES	

Thank you for purchasing your Scorpion Silencer.

Care of your exhaust: Please refrain from cleaning silencer with heavy solvents or abrasives!

Vielen Dank für den Kauf eines Scorpion Schalldämpfers! Pflegehinweis: Bitte verwenden Sie niemals Scheuermittel oder aggressive Reiniger zur Pflege Ihres Auspuffes!

Merci d'avoir choisi un échappement Scorpion.

Entretien de votre silencieux: Ne pas utiliser de solvants ou de produits abrasifs!

"Muchas gracias por adquirir un Silencioso Scorpion. Le recomendamos no limpiar el silencioso con productos abrasivos o aquellos que contengan disolventes."