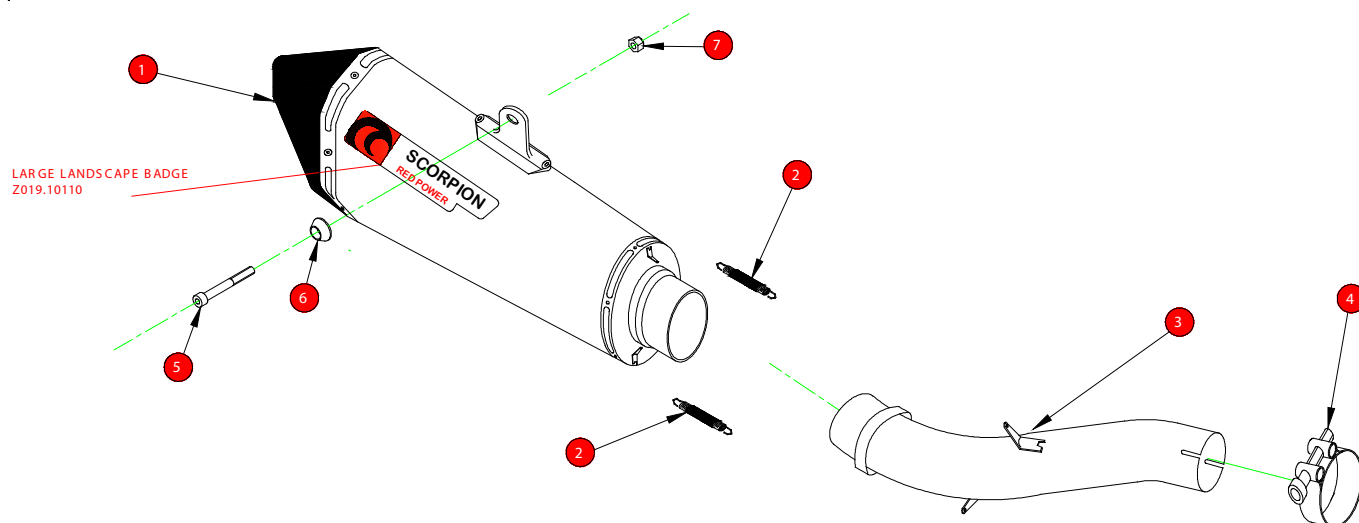




BIKE	SUZUKI GSXR 600/750	PART NO.	RSI-102
YEAR	2008-2010	FIT KITS	Z039.20429
NOTES	Use standard fittings where not supplied Remove standard gasket if fitted.	DB-Killer	SCEXDBK24 - (Type W)



- 1 Serket Conical Silencer RSC 215
- 2 2 x Red Power Springs (Z028.10030)
- 3 Connecting Pipe CP652
- 4 43-47mm Band Clamp (Z016.10008)
- 5 M8 x 45mm Cap Head Bolt (Z017.10077)
- 6 Aluminium Bolt Finisher (Z026.20068)
- 7 M8 Nyloc Nut (Z017.10062)

E-MARK	SI-102  2275 
ISSUE NO.	02
DATE	19/10/2018
AUTHORISED	J.Harkin
CHECKED	

NOTE: ENSURE SCORPION SYSTEM IS CLEAR OF MOVING PARTS AND ALL ORIGINAL FUNCTIONS WORK CORRECTLY.



A) Remove original exhaust from bike, taking care to keep all original components in a safe place.

B) Refit Scorpion exhaust as per line diagram above.

C) When fitted take bike for a short ride to ensure all functions are correct.

D) When bike & exhaust are cool enough check all nuts and bolts are still secure.

Cleaning instructions overleaf:

Box: PLOCK 1

BIKE	SUZUKI GSXR 600/750	PART NO.	RSI-102
YEAR	2008-2010	FIT KITS	Z039.20429
NOTES	Use standard fittings where not supplied Remove standard gasket if fitted.	FEATURES	

Thank you for purchasing your Scorpion Silencer.

Care of your exhaust: Please refrain from cleaning silencer with heavy solvents or abrasives!

Vielen Dank Für den kauf eines Scorpion Schalldampfers! Pflegehinweis: Bitte verwenden Sie niemals Scheuermittel oder aggressive Reiniger zur Pflege Ihres Auspuffes!

Merci d'avoir choisi un echappement Scorpion.

Entretien de votre silencieux: Ne pas utiliser de solvants ou de produits abrasifs!

"Muchas gracias por adquirir un Silencioso Scorpion. Le recomendamos no limpiar el silencioso con productos abrasivos o aquellos que contengan disolventes."