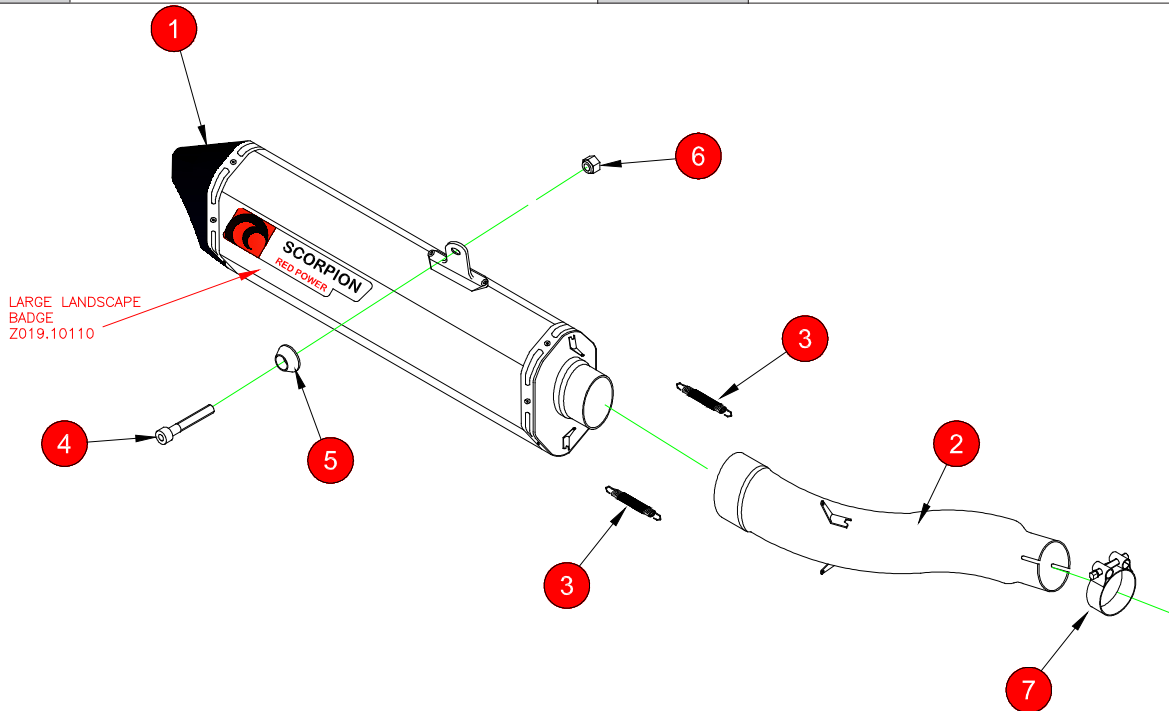


BIKE	HONDA CBR 500 R	PART NO.	RHA - 157
YEAR	2013-2015	FIT KITS	Z039.10489
NOTES	Use standard fittings where not supplied <b>Remove standard gasket if fitted.</b>	DB-Killer	SCEXDBK23 - (Type V)



- 1 Serket Silencer 400mm RSC267
- 2 Connecting Pipe CP733
- 3 2 x Rubber Coated Springs (Z028.10030)
- 4 M8x55mm Cap Head Bolt (Z017.10079)
- 5 Alloy Bolt Finisher (Z026.20068)
- 6 M8 Nyloc Nut (Z017.10062)
- 7 43-47mm Band Clamp (Z016.10008)

E-MARK	RSC267 e4 2463
ISSUE NO.	05
DATE	15/10/2018
AUTHORISED	J.Harkin
CHECKED	

**NOTE:** ENSURE SCORPION SYSTEM IS CLEAR OF MOVING PARTS AND ALL ORIGINAL FUNCTIONS WORK CORRECTLY.

A) Remove original exhaust from bike, taking care to keep all original components in a safe place.

B) Refit Scorpion exhaust as per line diagram above.

C) When fitted take bike for a short ride to ensure all functions are correct.

D) When bike & exhaust are cool enough check all nuts and bolts are still secure.

Cleaning instructions overleaf:



Box: PLOCK 2

BIKE	HONDA CBR 500 R	PART NO.	RHA - 157
YEAR	2013- Current	FIT KITS	Z039.10489
NOTES		FEATURES	

Thank you for purchasing your Scorpion Silencer.

Care of your exhaust: Please refrain from cleaning silencer with heavy solvents or abrasives!

Vielen Dank Fur den kauf eines Scorpion Schalldampfers! Pflegehinweis: Bitte verwenden Sie niemals Scheuermittel oder aggressive Reiniger zur Pflege Ihres Auspuffes!

Merci d'avoir choisi un echappement Scorpion.

Entretien de votre silencieux: Ne pas utiliser de solvants ou de produits abrasifs!

"Muchas gracias por adquirir un Silencioso Scorpion. Le recomendamos no limpiar el silencioso con productos abrasivos o aquellos que contengan disolventes."