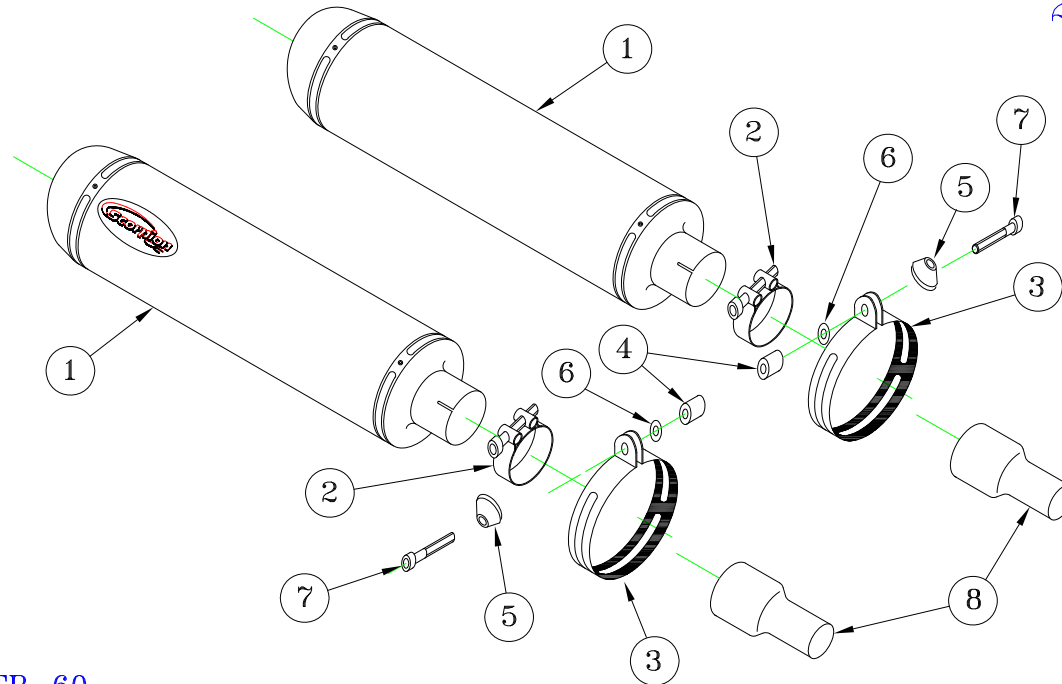


Where not supplied use original fittings

# TRIUMPH SPEED TRIPLE 1050 2005-0n



## Part No. ETR-60

- ① 2 off 300mm Oval Silencers ESC84
- ② 2 off 55-59mm Band Clamps (Z016.10004)
- ③ 2 off "H" Type Oval Composite Silencer Straps (Z038.10088)
- ④ 2 off 25mm Aluminium Spacers (Z026.10007)
- ⑤ 2 off Aluminium Bolt Finishers (Z026.20068)
- ⑥ 2 off M8 x 25mm Washers (Z017.10825)
- ⑦ 2 off M8 x 70mm Cap Head Bolts (Z017.10082)
- ⑧ 2 off Connecting Pipes CP329

Note :- Remove gaskets  
from standard pipes before  
fitting CP-329

E-Mark Oval	SC-84 [e4] 2184
Issue No.	5
Date	14/08/08
Authorised	S.NORTHROP

Note :- ENSURE SCORPION SYSTEM IS CLEAR OF MOVING PARTS AND ALL ORIGINAL FUNCTIONS WORK CORRECTLY