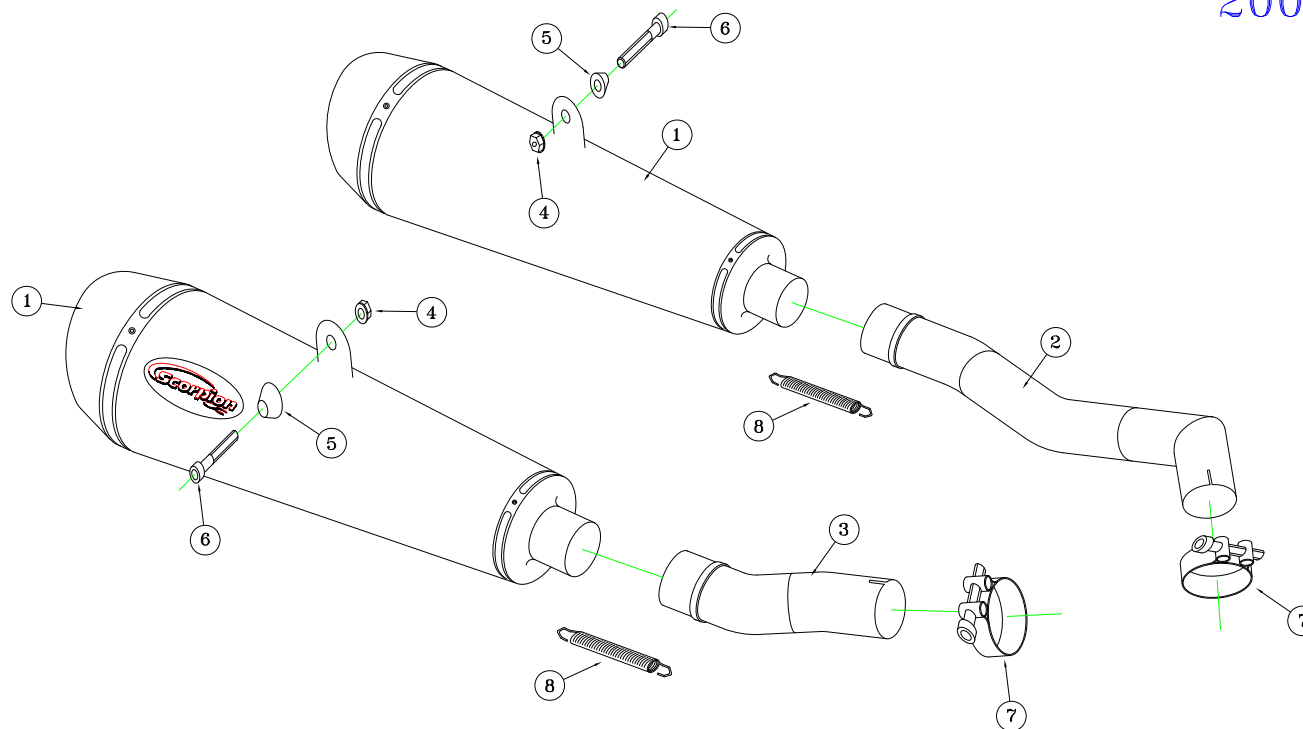


Where not supplied use original fittings

SUZUKI  
GSXR 1000-K9  
2009



**Part No. ESI-106**

- ① 2 off 275mm Coned Silencers ESC154
- ② L/H Connecting Pipe CP544
- ③ R/H Connecting Pipe CP545
- ④ 2 off M8 Nylock Nuts (Z017.10062)
- ⑤ 2 off Alloy Bolt Finishers (Z026.20068)
- ⑥ 2 off M8 x 40mm Cap Head Bolts (Z017.10076)
- ⑦ 2 off 43-47mm Band Clamps (Z016.10008)
- ⑧ 2 off Rubber Sleeved Springs (Z028.10030)

E-Mark Oval	SI-106 [e] 2323 ⑨
Issue No.	0
Date	12/05/09
Authorised	S.NORTHROP
Checked	

Note :- ENSURE SCORPION SYSTEM IS CLEAR OF MOVING PARTS AND ALL ORIGINAL FUNCTIONS WORK CORRECTLY