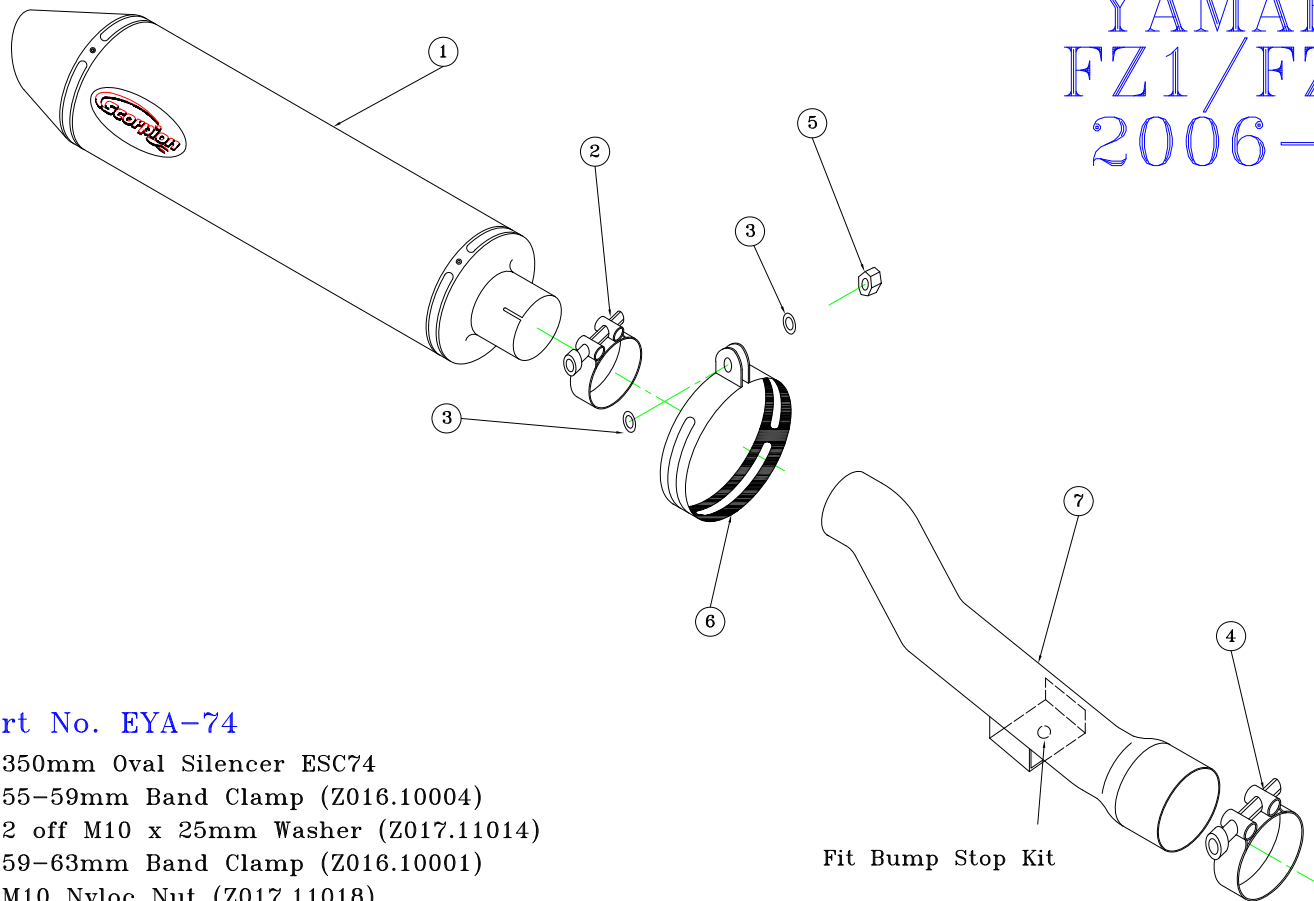


Where not supplied use original fittings

YAMAHA
FZ1/FZ1S
2006-0n



Part No. EYA-74

- ① 350mm Oval Silencer ESC74
 - ② 55-59mm Band Clamp (Z016.10004)
 - ③ 2 off M10 x 25mm Washer (Z017.11014)
 - ④ 59-63mm Band Clamp (Z016.10001)
 - ⑤ M10 Nyloc Nut (Z017.11018)
 - ⑥ "TL" Type Oval Composite Bracket (Z038.10087)
 - ⑦ Connecting Pipe CP-354
 - ⑧ Cable Tie (Z017.12732)
- Bump Stop Kit (Z017.10010)
Photographic Fitting Instructions

Fit Bump Stop Kit

E-Mark Oval	SC-74 [e4] 2216
Issue No.	10
Date	07/10/08
Authorised	S.NORTHROP

Note :- ENSURE SCORPION SYSTEM IS CLEAR OF MOVING PARTS AND ALL ORIGINAL FUNCTIONS WORK CORRECTLY

YAMAHA FZ-1 2006

SCORPION SILENCER FITTING INSTRUCTIONS



1. Remove the cover off the Exup Valve



2. Loosen the lock nuts retaining the cables



3. Disconnect the cables completely



4. Secure these cables safely behind the uprights of the frame with the cable-tie provided

5. It is now possible to remove the OE silencer by loosening the clamp & unbolting from the top mounting point, keep this bolt to remount the Scorpion silencer with the nut provided.



REFIT ALL PARTS IN REVERSE ORDER Ensure all cables and any fitments are secured safely and all original functions work correctly prior to use.

Issue No:- 1
Date:- 18/04/06

Authorised:-

